

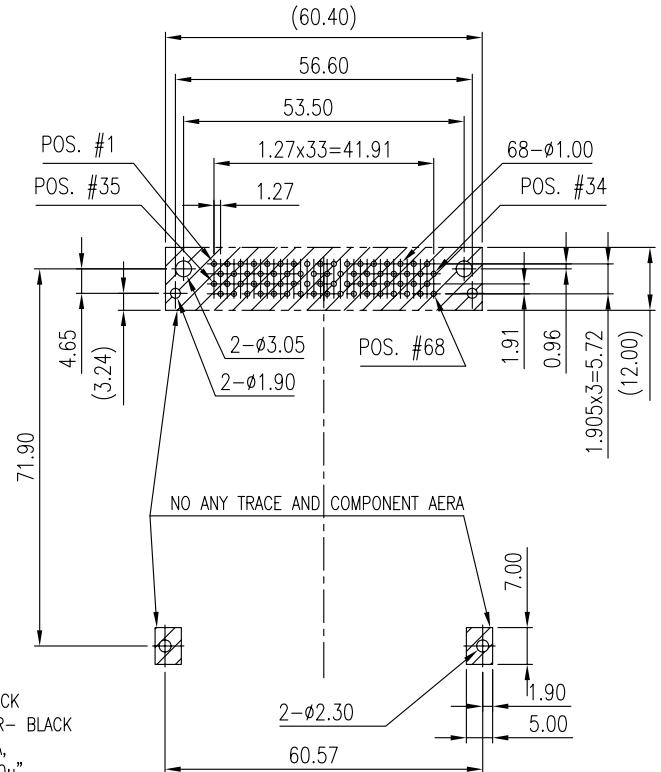
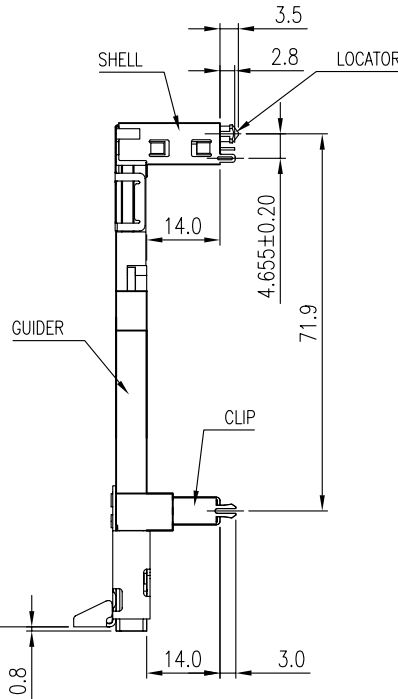
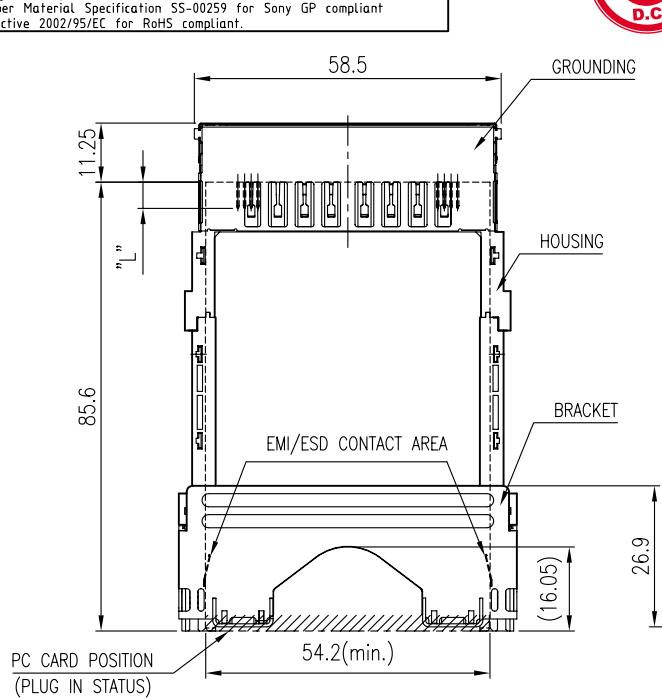
This document is the property of Amphenol Corporation and is delivered on the express condition that is not to be disclosed, reproduced or used, in whole or in part, for manufacture or sale by anyone other than Amphenol Corporation without its prior consent, and that no right is granted to disclose or to use any information in this document.
The marking on this product doesn't contain environmental hazardous materials per Material Specification 55-00259 for Sony GP compliant or per directive 2002/95/EC for RoHS compliant.



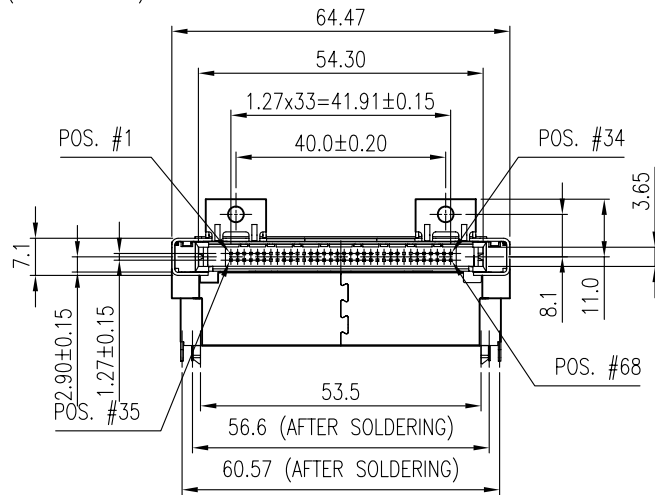
ORIGINAL



REVISIONS				
SYM	ECN No.	DESCRIPTION	DATE	APPROVED
A		RELEASE TO PRODUCT	09/22/2008	Hank Hsu
B	NE-08385	ADDED NOTE 8	11/07/2008	Hank Hsu



RECOMMENDED PCB LAYOUT (TOP VIEW)
(GENERAL TOLERANCE: ±0.05)



NOTES:

- HOUSING/ GUIDER: G.F. THERMOPLASTIC, UL94V-0, COLOR- BLACK
- LOCATOR: HIGH TEMPERATURE THERMOPLASTIC, UL94V-0, COLOR- BLACK
- CONTACT: COPPY ALLOY, FLASH GOLD PLATED ON CONTACT AREA, 80μ" MIN. MATTE TIN PLATED ON SOLDERING AREA, 50μ" MIN. NICKEL UNDER-PLATING OVERALL
- GROUND & SIDE CONTACT: STAINLESS STEEL
- SHELL: SPCC, 100μ" MIN. TIN OVER 50μ" NICKEL UNDER-PLATING OVERALL
- BRACKET: SPCC, 120μ" NICKEL PLATING OVERALL
- CLIP: SPCC, 80μ" MIN. MATTE TIN OVER 50μ" MIN. NICKEL UNDER-PLATED OVERALL
- STAND-OFF 14.0 MM, APPLICABLE TYPE 1 & TYPE 2 PC CARD FOR 3.3V
- THIS PRODUCT DOESN'T CONTAIN ENVIRONMENTAL HAZARDOUS MATERIALS PER DIRECTIVE 2002/95/EC FOR RoHS
- PACKING MUST BE PER Amphenol PACKING SPECIFICATION PKS-0001

TOLERANCE	APPROVALS	DATE	TITLE	Amphenol®			
±0.25	DRAWN Sondra Sang	11/07/08	CARD BUS CONNECTOR 68 POS., 1.27 PITCH, TOP, R/A, W/COVER & SCREW DEVICE	Amphenol Corporation Amphenol Taiwan Corporation			
	CHECKED Chenny Yeh	11/07/08					
	APPROVED Hank Hsu	11/07/08					
ANGULAR ±1°	DWG TYPE CUST DWG	PROJECT CODE OTHER	UNIT mm	SIZE A3	PART No.	G659B EU 1028 1034	
UNLESS OTHERWISE SPECIFIED			SCALE NA	SHEET 1 OF 1	DWG No.	G659BEU10281034	REV. B

DETEC	3.50	36, 67
GENERAL	4.25	ALL OTHER PINS
POWER	5.00	1, 17, 34, 35, 51, 68
PIN TYPE	DIM. L±0.1	PIN NUMBER