

This document is the property of Amphenol Corporation and is delivered on the express condition that it is not to be disclosed, reproduced or used, in whole or in part, for manufacture or sale by anyone other than Amphenol Corporation without its prior consent, and that no right is granted to disclose or to use any information in this document.

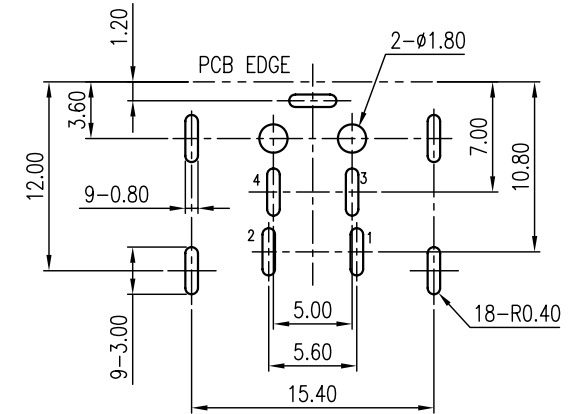
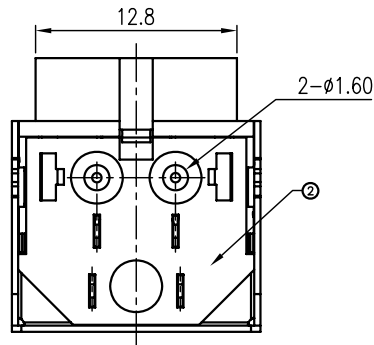
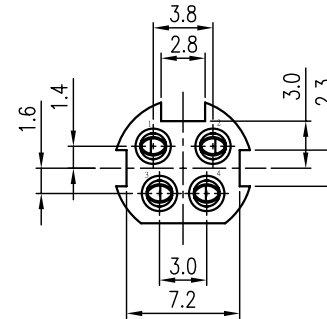
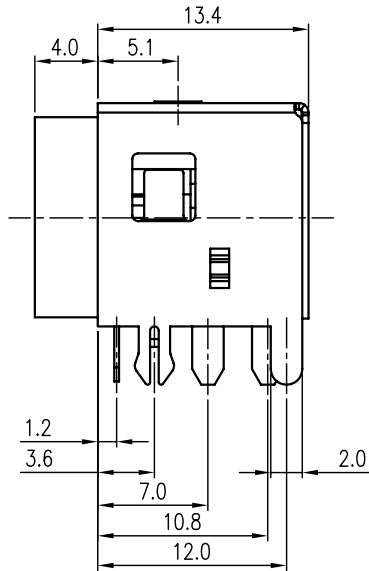
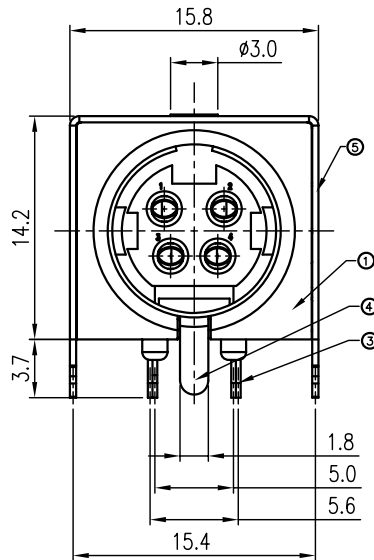
The marking on this product doesn't contain environmental hazardous materials per Material Specification 55-00259 for Sony GP compliant or per directive 2002/95/EC for RoHS compliant.



ORIGINAL



REVISIONS				
SYM	ECN No.	DESCRIPTION	DATE	APPROVED
A		RELEASE FOR RoHS	11/28/2005	Henry Ko
B	NE-08424	ADD PLATING OPTION	12/24/2008	Hank Hsu
C	NE-10056	MODIFIED PLATING SPEC	04/22/2010	Arron Lin



NOTES:

1. THIS PRODUCT DOESN'T CONTAIN ENVIRONMENTAL HAZARDOUS MATERIALS PER DIRECTIVE 2002/95/EC FOR RoHS.
2. THE PRODUCT MUST BE FOR DIP PROCESS ONLY

RECOMMENDED PCB LAYOUT
(ALL TOLERANCES ARE ±0.05)

5	SHELL	BRASS , 80~120u" MIN MATTE TIN PLATING , 50u" MIN NICKEL UNDER PLATING OVERALL	1
4	INNER GROUNDING	PHOSPHOR BRONZE , 120u" MIN MATTE TIN PLATING , 80u" MIN NICKEL UNDER PLATING OVERALL	1
3	CONTACT	PHOSPHOR BRONZE , 120u" MIN MATTE TIN PLATING , 80u" MIN NICKEL UNDER PLATING OVERALL	4
2	COVER	HIGH TEMPERATURE THERMO PLASTIC UL94V-0 , COLOR-BLACK	1
1	BODY	HIGH TEMPERATURE THERMO PLASTIC UL94V-0 , COLOR-BLACK	1
REF.	DESCRIPTION	MATERIAL	Q'TY

TOLERANCE	APPROVALS	DATE	TITLE	UNIT	SIZE	PART No.
X. ±0.30	DRAWN Arron Lin	04/22/2010	POWER MINI-DIN 4 POS. R/A PCB MOUNT W/ SHIELD	mm	A3	G18U0411KEU
X.XX ±0.20	CHECKED Roger Tsai	04/22/2010		SCALE NA	SHEET 1 OF 1	
X.XXX ±0.10	APPROVED Arron Lin	04/22/2010		DWG No. G18U0411KEU	REV. C	
ANGULAR ±1°	DWG TYPE CUST DWG	PROJECT CODE MDIN				

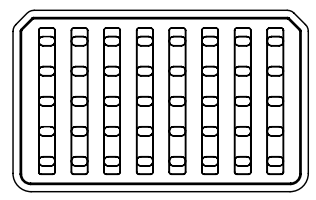
This document is the property of Amphenol Corporation and is delivered on the express condition that is not to be disclosed, reproduced or used, in whole or in part, for manufacture or sale by anyone other than Amphenol Corporation without its prior consent, and that no right is granted to disclose or to use any information in this document.
 The marking on this product doesn't contain environmental hazardous materials per Material Specification 55-00259 for Sony GP compliant or per directive 2002/95/EC for RoHS compliant.



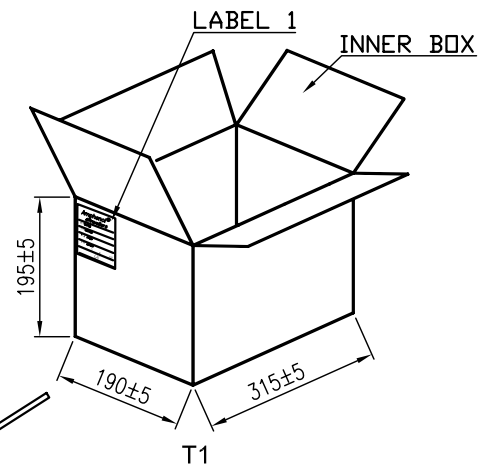
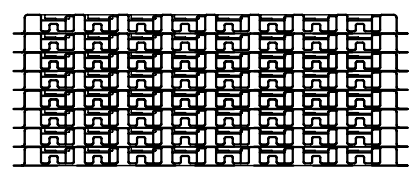
ORIGINAL



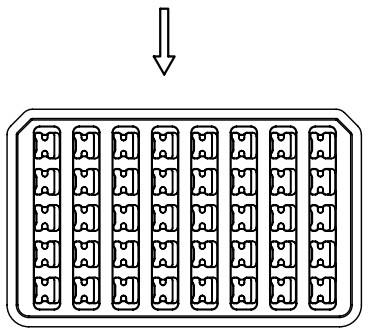
REVISIONS				
SYM	ECN No.	DESCRIPTION	DATE	APPROVED
A		RELEASE FOR RoHS	11/28/2005	Henry Ko
B	NE-08424	ADD PLATING OPTION	12/24/2008	Hank Hsu
C	NE-10056	MODIFIED PLATING SPEC	04/22/2010	Arron Lin



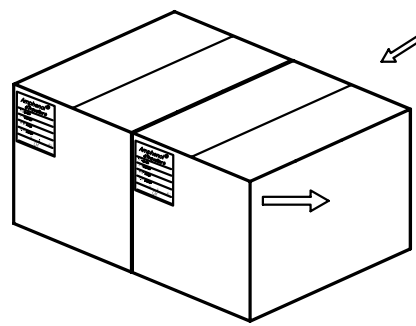
TRAY COVER
285(L)*175(W)*22.5(H)mm



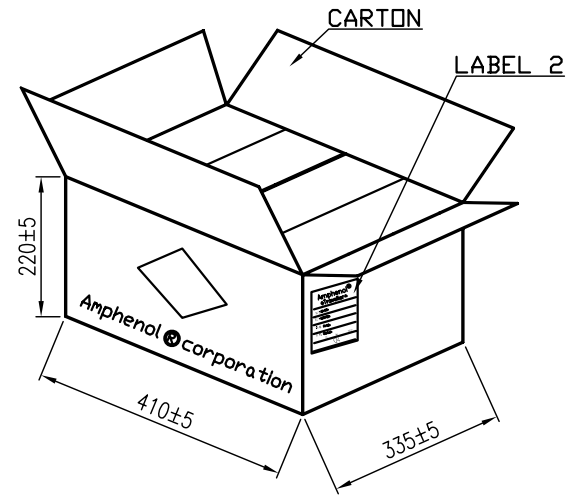
T1



TRAY BOTTOM
285(L)*175(W)*22.5(H)mm



T2



P/N : G18U0411XEU G18U0411XEU
Q'TY : 320 320
P/O :
DATE : 06 / 31 / 2007 MM / DD / YYYY
G.W : 5.20 KG
Amphenol Taiwan Corporation

LABEL1 & LABEL2

LABEL 1 = Q'TY : 320
LABEL 2 = Q'TY : 640

PCS./TRAY-T1	TRAY/CARTCON-T2
320 PCS.	320X2=640 PCS.

TOLERANCE	APPROVALS	DATE	TITLE	UNIT	SCALE	SIZE	PART No.
X. X.X ±0.30 X.XX ±0.20 X.XXX ±0.10	DRAWN Arron Lin	04/22/2010	POWER MINI-DIN 4 POS. R/A PCB MOUNT W/ SHIELD	mm	NA	A3	G18U0411KEU
ANGULAR ±1°	CHECKED Roger Tsai	04/22/2010					
UNLESS OTHERWISE SPECIFIED	APPROVED Arron Lin	04/22/2010					
	DWG TYPE CUST DWG	PROJECT CODE MDIN		SCALE	SHEET 1 OF 1	DWG No. G18U0411KEU	REV. C

Amphenol[®]
Amphenol Corporation
Amphenol Taiwan Corporation