

This document is the property of Amphenol Corporation and is delivered on the express condition that is not to be disclosed, reproduced or used, in whole or in part, for manufacture or sale by anyone other than Amphenol Corporation without its prior consent, and that no right is granted to disclose or to use any information in this document.

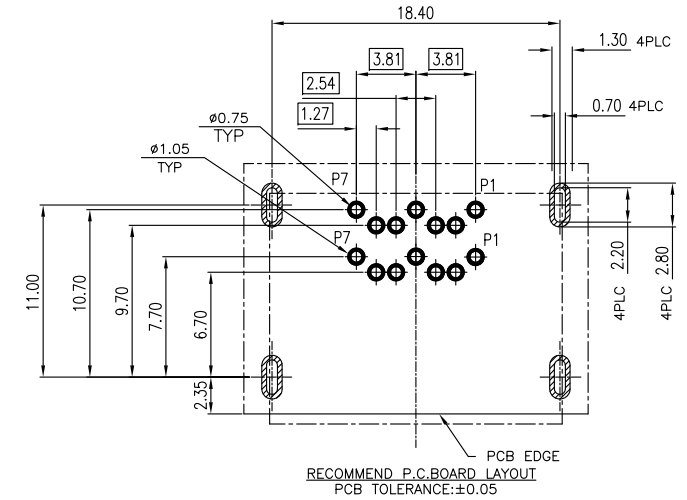
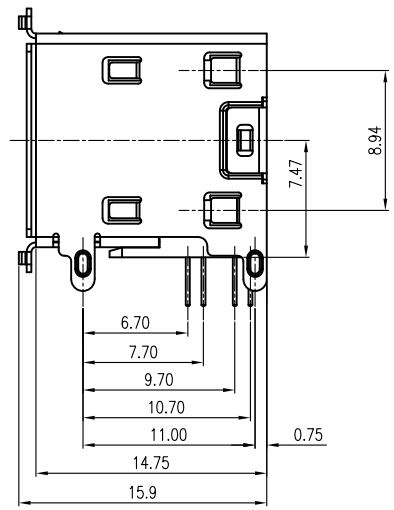
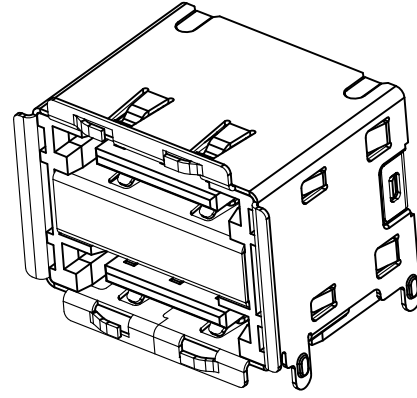
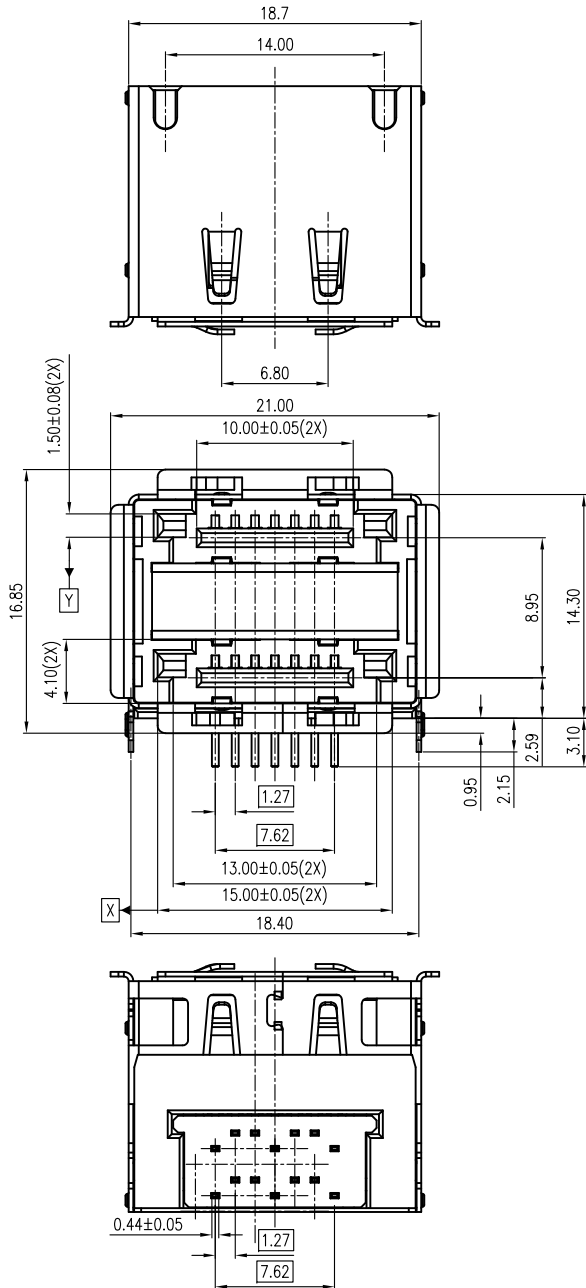
The marking on this product doesn't contain environmental hazardous materials per Material Specification 55-00259 for Sony GP compliant or per directive 2002/95/EC for RoHS compliant.

**PRELIMINARY RELEASE
SUBJECT TO CHANGE**

REVISIONS				
SYM	ECN No.	DESCRIPTION	DATE	APPROVED
AX1		NON-RELEASE REVISION	08/01/2008	Hank Hsu
AX2		ADD DIM	06/26/2008	Arron Lin
AX3		ADD DIM	06/30/2008	Arron Lin

NOTES:

- MATERIAL:
HOUSING:THERMOPLASTIC, HIGH TEMP, 30% G/F UL 94V-0, COLOR-BLACK
CONTACT:BRASS
SHELL:BRASS
MEDI SHELL:BRASS
BACK SHELL:SPCC
- FINISH:
CONTACT:SELECTIVE GOLD PLATING OVER NICKEL ON CONTACT AREA,
MISTY TIN PLATING ON SOLDERING TAIL
CONTACT FINISH CODES: "0"- GOLD FLASH SHELL:NICKEL PLATED
"5"- 15μ" GOLD SHEL:NICKEL PLATED
"4"- 30μ" GOLD SHELL:NICKEL PLATED
50u" MIN.NICKEL UNDERPLATING OVER ALL
100u" MIN.TIN PLATING ON SOLDERTAILS
BACK SHELL:50u" MIN.NICKEL UNDERPLATING OVER ALL
- THIS PRODUCT DOESN'T CONTAIN ENVIRONMENTAL HAZARDOUS MATERIALS PER DIRECTIVE 2002/95/EC FOR RoHS.
- △ ARE CRITICAL DIMENSIONS
- PACKING SPECIFICATION SHALL BE PER AMTA PKS-0001



TOLERANCE	APPROVALS	DATE	TITLE	Amphenol®		
X. ±0.30	DRAWN Daniel Hsieh	06/30/2009	G09 SERIES	Amphenol Corporation Amphenol Taiwan Corporation		
X.X ±0.20	CHECKED Roger Tsai	06/30/2009	E-SATA CONNECTOR			
X.XX ±0.20	APPROVED Arron Lin	06/30/2009	PLUG, NORMAL, STACKED	UNIT mm	SIZE A3	PART No. G09 25X2 3X1A EU
X.XXX ±0.10	DWG TYPE CUST DWG	PROJECT CODE SKT	R/A PCB MOUNT, DIP TYPE	SCALE NA	SHEET 1 OF 1	DWG No. G09 25X2 3X1A EU
ANGULAR ±1°						REV. AX3
UNLESS OTHERWISE SPECIFIED						