

This document is the property of Amphenol Corporation and is delivered on the express condition that is not to be disclosed, reproduced or used, in whole or in part, for manufacture or sale by anyone other than Amphenol Corporation without its prior consent, and that no right is granted to disclose or to use any information in this document.

The marking on this product doesn't contain environmental hazardous materials per Material Specification 55-00259 for Sony GP compliant or per directive 2002/95/EC for RoHS compliant.



ORIGINAL



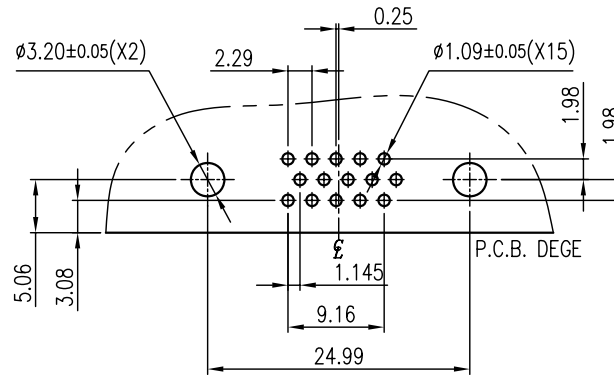
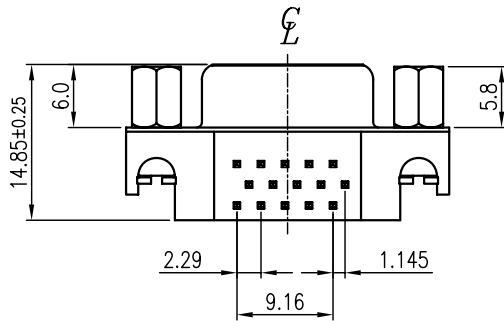
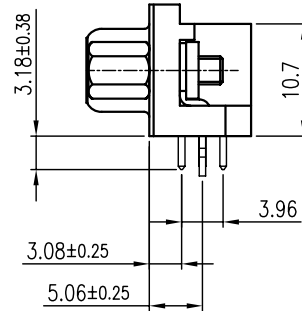
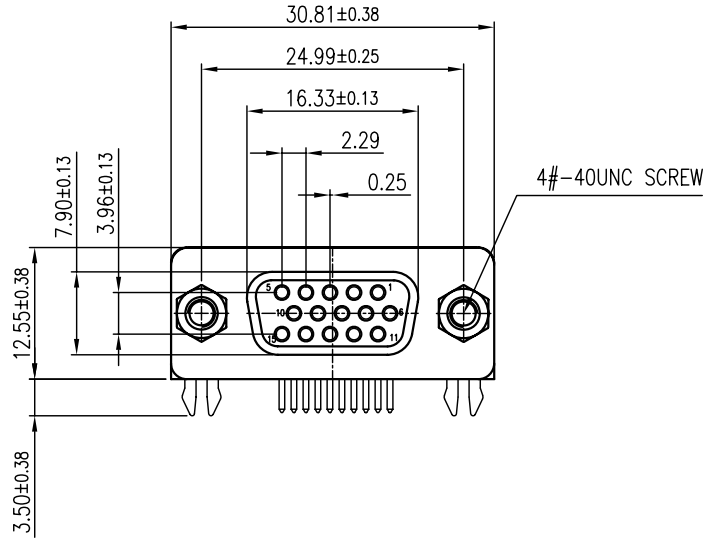
REVISIONS				
SYM	ECN No.	DESCRIPTION	DATE	APPROVED
A		RELEASE TO PRODUCTION	06/30/2009	Roger Tsai

PART NO. G17AH150X232PEU

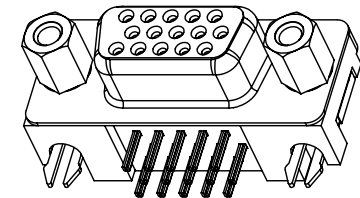
CONTACT FINISH
 O: GOLD FLASH
 1: 15 μ" GOLD
 2: 30 μ" GOLD

NOTES:

- MATERIAL:
 - HOUSING: THERMOPLASTIC, UL 94V-0, COLOR: BLUE.
 - COVER: THERMOPLASTIC, UL 94V-0, COLOR: BLUE.
 - TERMINAL: COPPER ALLOY.
 - SHELL: SPCC.
 - BOARDLOCK: COPPER ALLOY.
 - RIVET & SCREW: COPPER ALLOY.
- FINISH:
 - TERMINAL:
 - CONTACT AREA: SELECTED GOLD PLATING;
 - SOLDER TAIL: TIN PLATING 100 μ" MINIMUM;
 - UNDER PLATING: NICKEL PLATING 50 μ" MINIMUM OVERALL.
 - SHELL: NICKEL PLATING 80 μ" MINIMUM OVER CU 60 μ" MINIMUM
 - BOARDLOCK: TIN PLATING 100 μ" MINIMUM OVER NICKEL 50 μ" MINIMUM
 - RIVET & SCREW: NICKEL PLATING 80 μ" MINIMUM OVER CU 60 μ" MINIMUM
- PRODUCT SPECIFICATION REFER TO : PS-7412.
- TEST SUMMARY REFER TO : TS-7412.
- PACKAGING SPECIFICATION REFER TO : PKS-G17AH150X232PEU.
- PACKING IS PER AMTA PACKING SPECIFICATION PKS-0001.
- THIS PRODUCT IS LEAD-FREE & RoHS COMPLIANT PRODUCT.



RECOMMENDED P.C.B. LAYOUT



TOLERANCE	APPROVALS	DATE	TITLE	UNIT	SCALE	SIZE	PART No.
X. ±0.30	DRAWN Roger Tsai	06/30/2009	D-SUB H/D FOOTPRINT 3.08 MM , 15P RIGHT ANGLE TYPE	mm	NA	A3	G17AH150X232PEU
X.X ±0.20	CHECKED Daniel Hsieh	06/30/2009					
X.XXX ±0.10	APPROVED Roger Tsai	06/30/2009					
ANGULAR ±1°	DWG TYPE CUST DWG	PROJECT CODE DSUB					
UNLESS OTHERWISE SPECIFIED						1 OF 1	DWG No. G17AH150X232PEU
							REV. A

Amphenol®

Amphenol Corporation
 Amphenol Taiwan Corporation

This document is the property of Amphenol Corporation and is delivered on the express condition that is not to be disclosed, reproduced or used, in whole or in part, for manufacture or sale by anyone other than Amphenol Corporation without its prior consent, and that no right is granted to disclose or to use any information in this document.

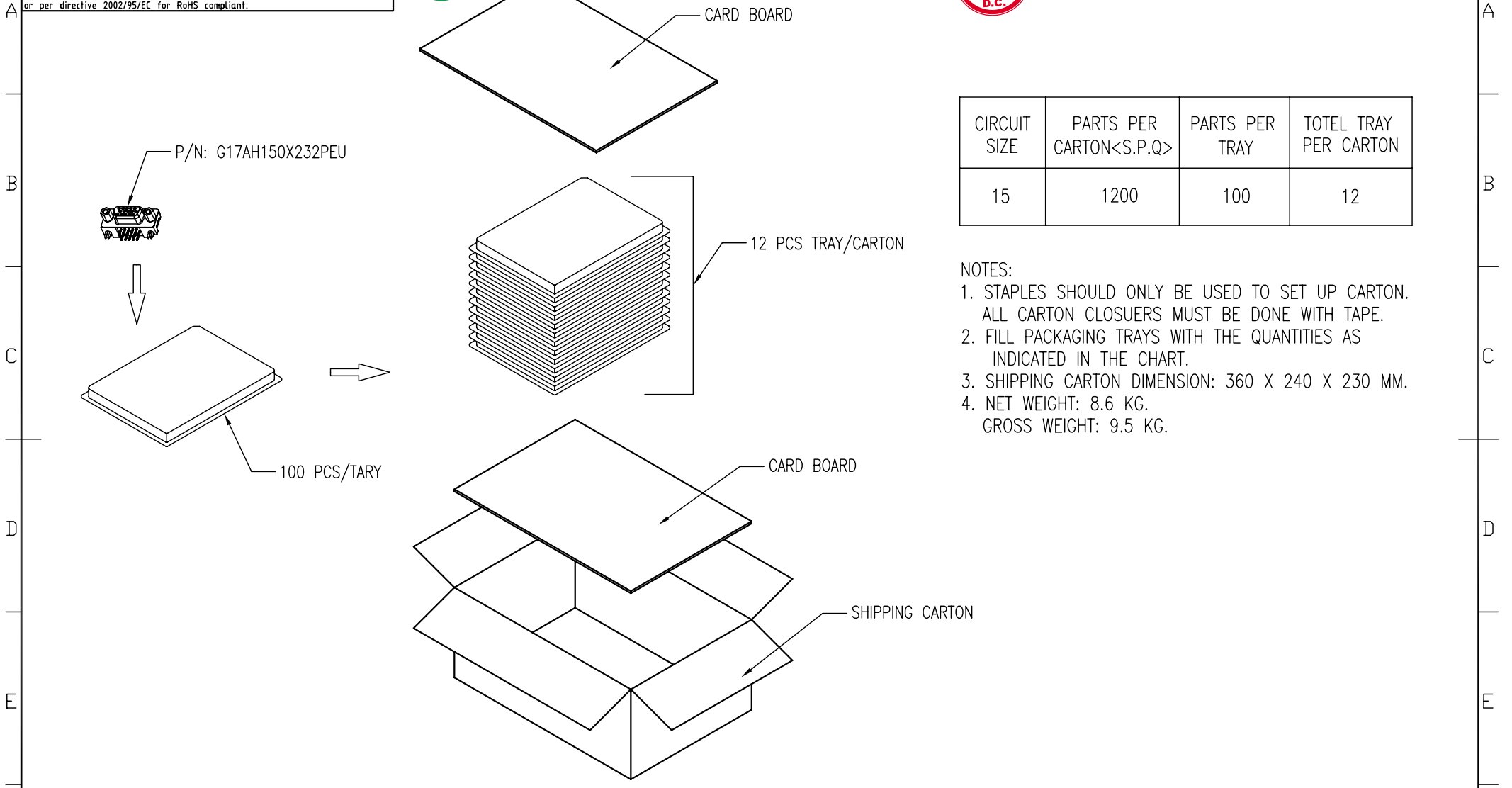
The marking on this product doesn't contain environmental hazardous materials per Material Specification SS-00259 for Sony GP compliant or per directive 2002/95/EC for RoHS compliant.



ORIGINAL



REVISIONS				
SYM	ECN No.	DESCRIPTION	DATE	APPROVED
A		RELEASE TO PRODUCTION	06/30/2009	Roger Tsai



CIRCUIT SIZE	PARTS PER CARTON<S.P.Q>	PARTS PER TRAY	TOTEL TRAY PER CARTON
15	1200	100	12

- NOTES:
1. STAPLES SHOULD ONLY BE USED TO SET UP CARTON. ALL CARTON CLOSUERS MUST BE DONE WITH TAPE.
 2. FILL PACKAGING TRAYS WITH THE QUANTITIES AS INDICATED IN THE CHART.
 3. SHIPPING CARTON DIMENSION: 360 X 240 X 230 MM.
 4. NET WEIGHT: 8.6 KG.
GROSS WEIGHT: 9.5 KG.

TOLERANCE	APPROVALS	DATE	TITLE		Amphenol®	
X. ±0.30	DRAWN Roger Tsai	06/30/2009	PACKAGING SPECIFICATION FOR D-SUB 15P RIGHT ANGLR TYPE		Amphenol Corporation Amphenol Taiwan Corporation	
X.X ±0.20	CHECKED Daniel Hsieh	06/30/2009				
X.XXX ±0.10	APPROVED Hank Hsu	06/30/2009	UNLESS OTHERWISE SPECIFIED	CUST DWG	PROJECT CODE DSUB	PART No. G17AH150X232PEU
ANGULAR ±1°						UNIT mm
			SCALE NA	SHEET 1 OF 1		