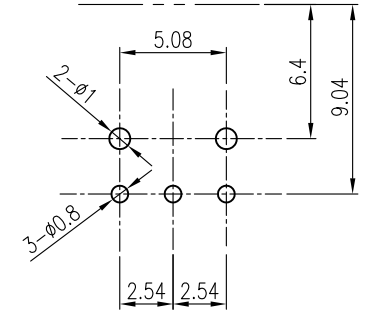
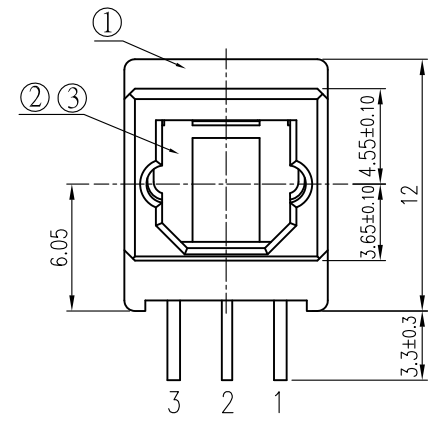
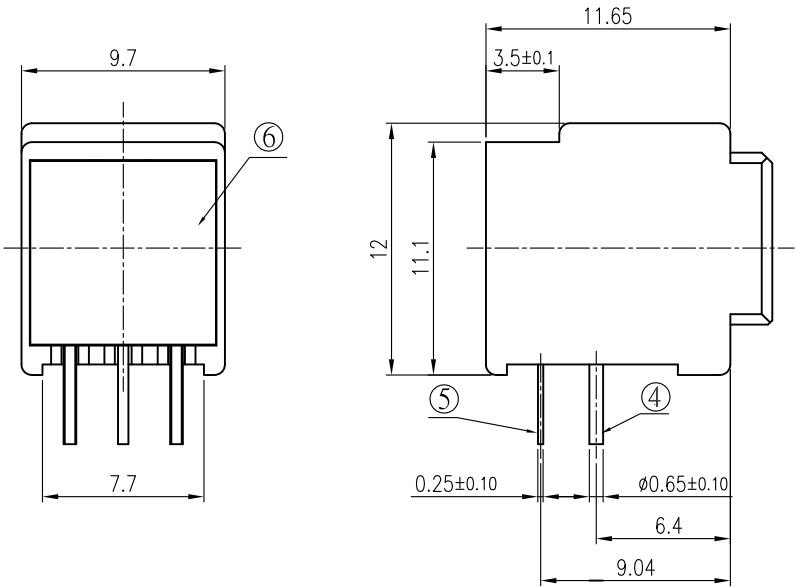


This document is the property of Amphenol Corporation and is delivered on the express condition that it is not to be disclosed, reproduced or used, in whole or in part, for manufacture or sale by anyone other than Amphenol Corporation without its prior consent, and that no right is granted to disclose or to use any information in this document.

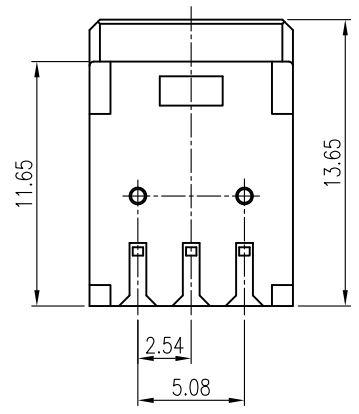
The marking on this product doesn't contain environmental hazardous materials per Material Specification 55-00259 for Sony GP compliant or per directive 2002/95/EC for RoHS compliant.

REVISIONS				
SYM	ECN No.	DESCRIPTION	DATE	APPROVED
AX1		UNAPPROVED REVISION	11/28/2008	Hank Hsu

**PRELIMINARY RELEASE
SUBJECT TO CHANGE**



RECOMMENDED PCB LAYOUT
(TOLERANCE: ±0.05mm)



Pin Function
1.Gnd
2.Vcc
3.Vin

NOTE:
THIS PRODUCT DOESN'T CONTAIN ENVIRONMENTAL HAZARDOUS MATERIALS PER DIRECTIVE 2002/95/EC FOR RoHS.

6	COVER	PBT, UL 94V-0, COLOR- BLACK	1
5	OPTIC COMPONENT	TIN PLATED	1
4	FIX POLE	PHOSPHOR BRONZE, TIN PLATED	2
3	DUST CAP	PBT, UL 94V-0, COLOR- GRAY	1
2	SPRING	SUS	1
1	HOUSING	PBT, UL 94V-0, COLOR- BLACK	1
ITEM	DESCRIPTION	MATERIAL & FINISH	Q'TY

TOLERANCE	APPROVALS	DATE	TITLE	PART No.	
X. ±0.30 X.X ±0.20 X.XX ±0.10 X.XXX ±0.10	DRAWN Roger Tsai CHECKED Daniel Hsieh APPROVED Hank Hsu	11/28/2008 11/28/2008 11/28/2008	G20A SERIES FIBER OPTIC TRANSMITTER R/A PCB MOUNT (25Mb/s)	Amphenol® Amphenol Corporation Amphenol Taiwan Corporation	
ANGULAR ±1°	DWG TYPE CUST DWG	PROJECT CODE OPT	UNIT mm SCALE NA	SIZE A3 SHEET 1 OF 1	PART No. G20A03012EU DWG No. G20A03012EU REV. AX1