

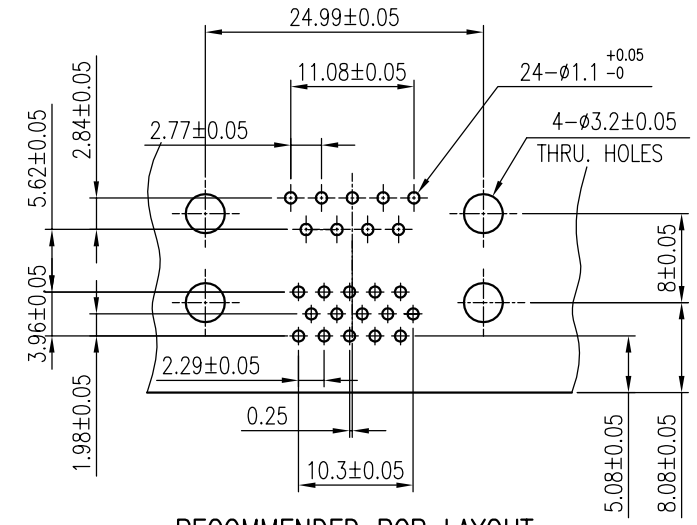
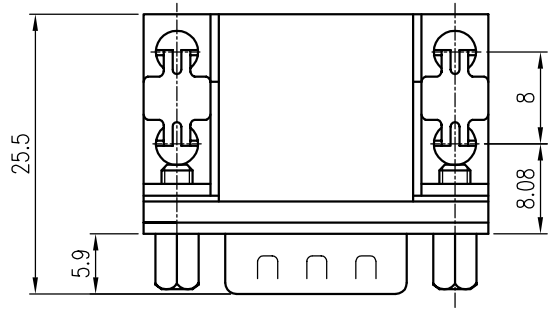
This document is the property of Amphenol Corporation and is delivered on the express condition that it is not to be disclosed, reproduced or used, in whole or in part, for manufacture or sale by anyone other than Amphenol Corporation without its prior consent, and that no right is granted to disclose or to use any information in this document.

* THIS PRODUCT DIDN'T HAVE ENVIRONMENT-RELATED SUBSTANCES PER MATERIALS SPECIFICATION #MS-S001, LEVEL 1. WHEN THE TIME SET SCHEDULE OF LEVEL 2 IS EXPIRY, THE SUBSTANCES SHALL NOT BE CONTAINED WITH THIS PRODUCT.

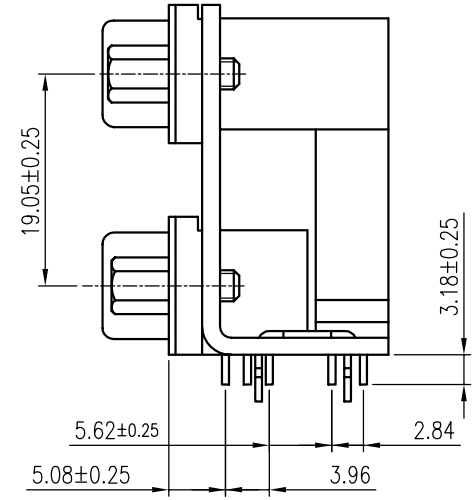
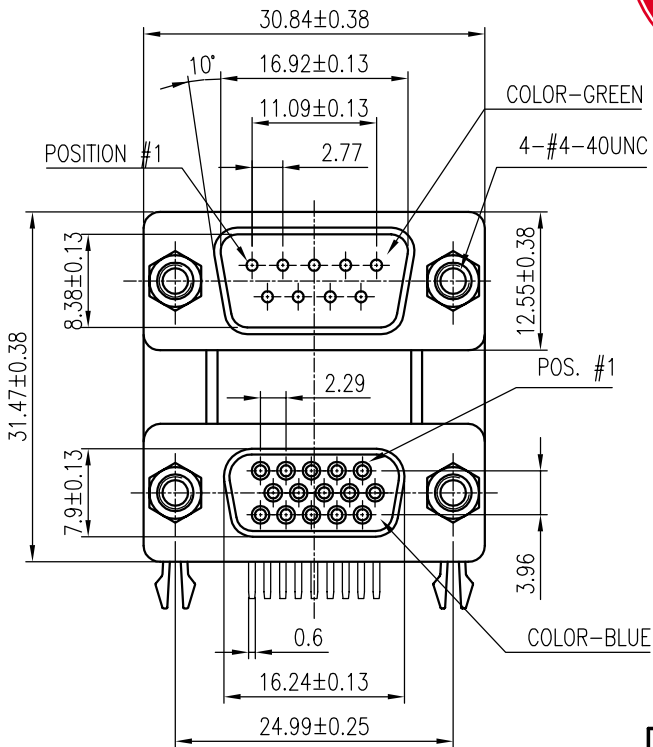
CUSTOMER DRAWING

ORIGINAL

REVISIONS				
SYM	ECN No.	DESCRIPTION	DATE	APPROVED
A		RELEASE FOR RoHS	01/10/2005	Bodhi Chih



RECOMMENDED PCB LAYOUT



- NOTES:
- FRONT SHELL: COLD ROLLER STEEL, TIN OR NICKEL PLATED
 - CONTACT: BRASS, SELECTIVE GOLD PLATED ON CONTACT AREA
TIN PLATED ON SOLDERING AREA
 - INSULATOR: PBT, UL 94V-0
 - TOP CONN.: 9-POS. PLUG, COLOR- GREEN
BOTTOM CONN.: 15-POS. (HI-DEN) RECEPTACLE, COLOR- BLUE
 - THIS PRODUCT DOESN'T CONTAIN ENVIRONMENTAL HAZARDOUS MATERIALS PER MATERIAL SPECIFICATION #MS-S001.
 - FOR DIP PROCESS ONLY

TOLERANCE	m/m	APPROVALS	DATE	TITLE	Amphenol®			
x.	±0.30	DRAWN Sondra Song	01/10/05	G17H SERIES	Amphenol Corporation Amphenol East Asia Limited			
x.x	±0.25	CHECKED Ivy Hsu	01/10/05	DUAL-PORT D-SUB				
x.xx	±0.15	APPROVED Vic Lin	01/10/05	R/A PCB MOUNT				
x.xxx	±0.08			9-MALE/HI-D 15-FEMALE				
ANGULAR	±2°			FOR PC 99 SYSTEM				
UNLESS OTHERWISE SPECIFIED		UNIT MM		SIZE A4	PART NO. G17H 217X X31P EU	DRAWING NO. DSUB-G17H217XX31PEU-25	SCALE N.A. SHEET 1 OF 1	REV. A