

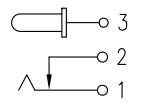
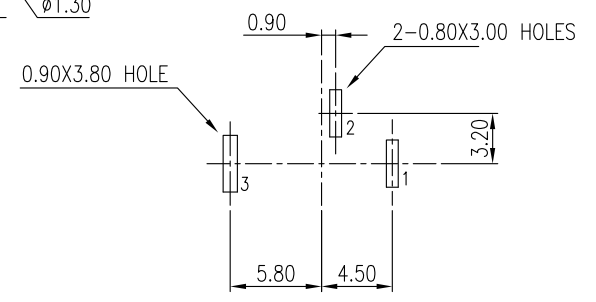
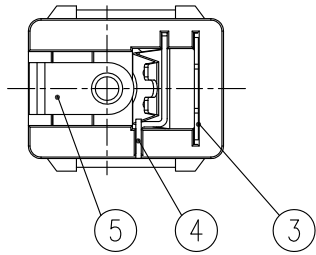
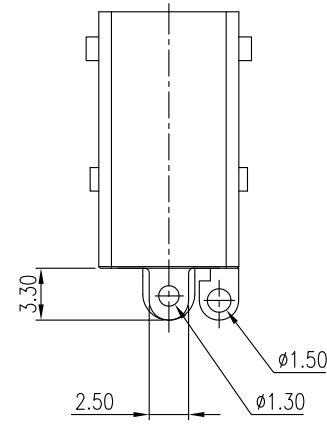
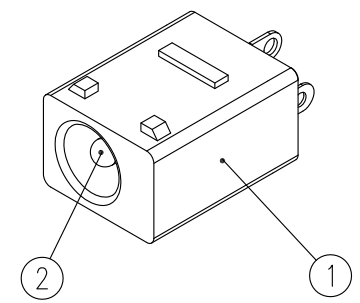
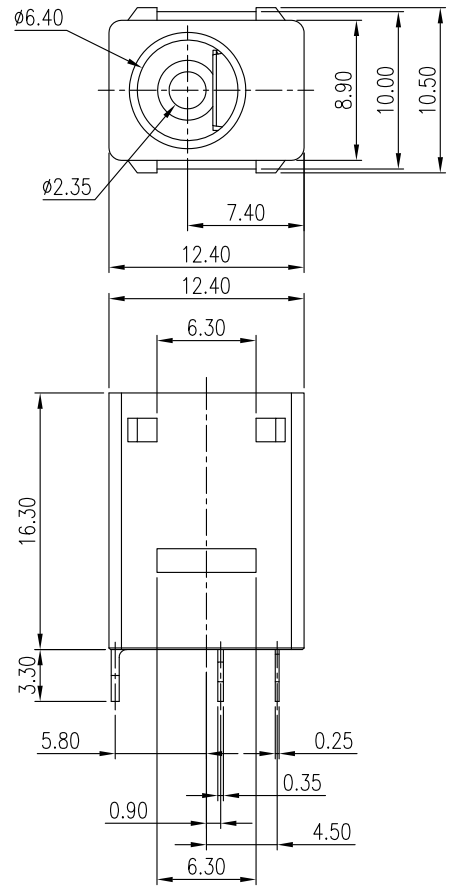
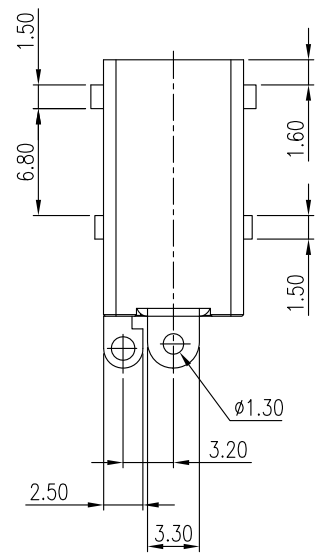
This document is the property of Amphenol Corporation and is delivered on the express condition that it is not to be disclosed, reproduced or used, in whole or in part, for manufacture or sale by anyone other than Amphenol Corporation without its prior consent, and that no right is granted to disclose or to use any information in this document.

The marking on this product doesn't contain environmental hazardous materials per Material Specification 55-00259 for Sony GP compliant or per directive 2002/95/EC for RoHS compliant.

REVISIONS				
SYM	ECN No.	DESCRIPTION	DATE	APPROVED
AX1		UNAPPROVED REVISION	04/02/2009	Arron Lin
AX2		MODIFIED TITLE	04/16/2009	Arron Lin
AX3		MODIFIED DRAWING	05/13/2009	Arron Lin



**PRELIMINARY RELEASE
SUBJECT TO CHANGE**



SCHEMATIC

RECOMMENDED PCB LAYOUT (TOP VIEW)

NOTES:

1. PACKING IS PER AMTA PACKING SPECIFICATION PKS-0001.
2. THIS PRODUCT DOESN'T CONTAIN ENVIRONMENTAL HAZARDOUS PER DIRECTIVE 2002/95/EC FOR RoHS COMPLIANT.

5	SHUNT TERMINAL	BRASS	1	TIN
4	SHUNT	BRASS	1	TIN
3	T CONTACT	PBS	1	TIN
2	CENTER PIN	BRASS	1	NICKEL
1	HOUSING	PBT	1	94V-0
ITEM	DESCRIPTION	MATERIAL	Q'TY	FINISH

TOLERANCE	APPROVALS	DATE	TITLE	
X. ±0.30 X.X ±0.20 X.XXX ±0.10	DRAWN Daniel Hsieh CHECKED Roger Tsai	05/13/2009	DC JACK VERTICAL, DIP TYPE	
ANGULAR ±1°	APPROVED Arron Lin	05/13/2009	UNIT mm	SIZE A3
UNLESS OTHERWISE SPECIFIED	DWG TYPE CUST DWG	PROJECT CODE OTHER	SCALE NA	SHEET 1 OF 1
			PART No. G24 040 34 EU	REV. AX3
			DWG No. G2404034EU	

