

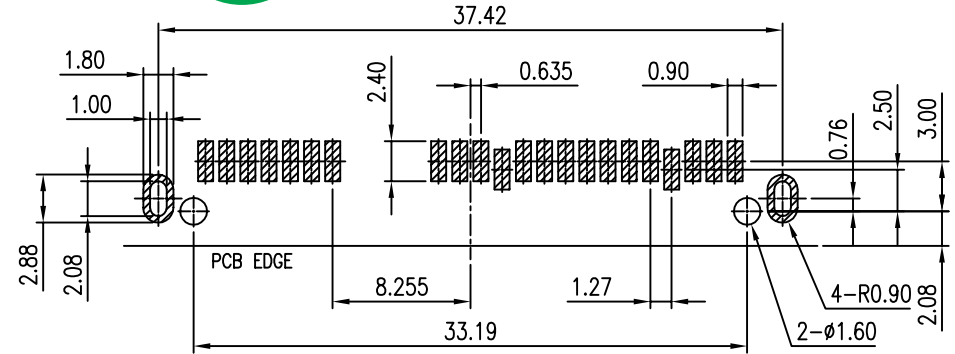
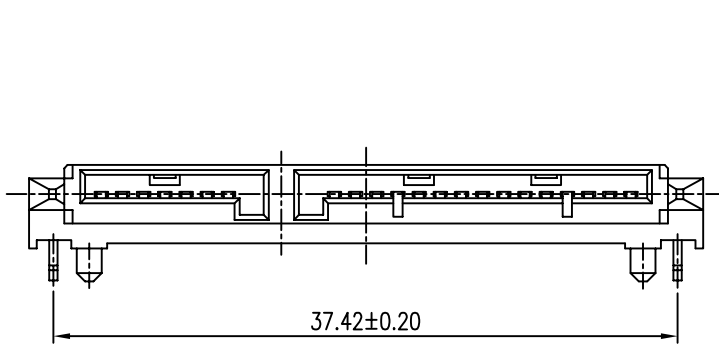
This document is the property of Amphenol Corporation and is delivered on the express condition that it is not to be disclosed, reproduced or used, in whole or in part, for manufacture or sale by anyone other than Amphenol Corporation without its prior consent, and that no right is granted to disclose or to use any information in this document.



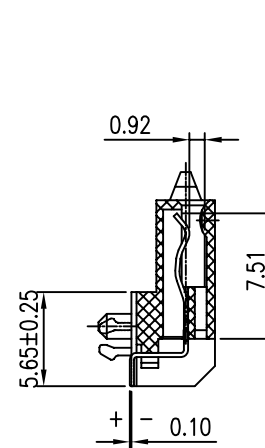
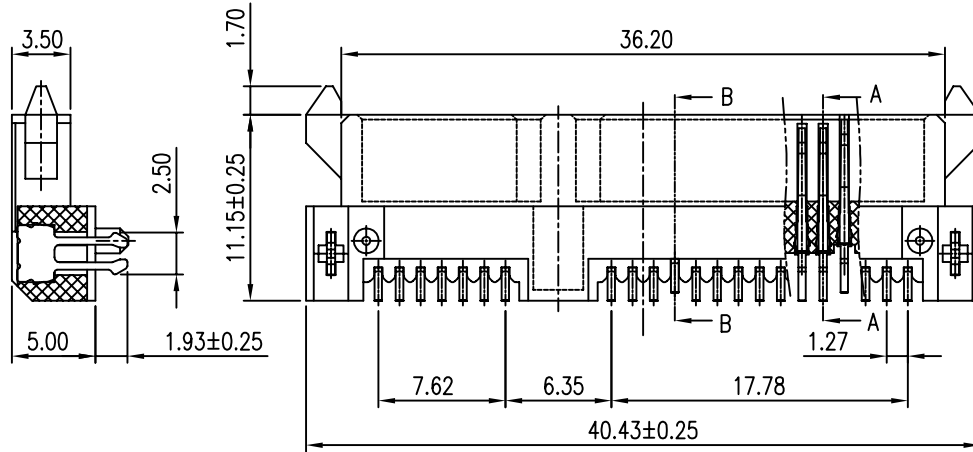
# CUSTOMER DRAWING ORIGINAL



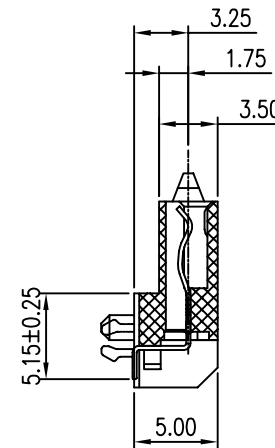
REVISIONS				
SYM	ECN No.	DESCRIPTION	DATE	APPROVED
A		RELEASE FOR RoHS	06/30/2006	Armstrong Kao
B	NE-07112	ADDING DIMENSIONS	07/22/2007	HC Liu



RECOMMENDED PCB LAYOUT T=1.2  
(ALL TOLERANCES ARE ±0.05)



SECTION A-A



SECTION B-B

NOTES:

- INSULATOR: LCP, UL 94V-0, COLOR- BLACK
- CONTACT: PHOSPHOR BRONZE, SELECTIVE GOLD PLATING ON CONTACT AREA, TIN PLATING ON SOLDERING TAIL  
CONTACT FINISH CODES: "0"- GOLD FLASH  
"1"- 15µ" GOLD  
"2"- 30µ" GOLD
- BOARDLOCK: BRASS, TIN PLATED
- THIS PRODUCT DOESN'T CONTAIN ENVIRONMENTAL HAZARDOUS MATERIALS PER DIRECTIVE 2002/95/EC FOR RoHS.
- PER AMTA PACKING SPECIFICATION PKS-0001

TOLERANCE m/m	APPROVALS	DATE	TITLE		<b>Amphenol®</b> <b>Amphenol Corporation</b> <b>Amphenol Taiwan Corporation</b> SCALE N.A. SHEET 1 OF 1
x. ±0.38	DRAWN	03/22/07	G16CE SERIES		
x.x ±0.25	Sondra Sang	03/22/07	SERIAL ATA CONNECTOR		
x.xx ±0.25	CHECKED	03/22/07	POWER & SIGNAL, FEMALE		
x.xxx ±0.08	Sondra Sang	03/22/07	7P+15P, R/A SMT		
ANGULAR ±2°	APPROVED	03/22/07	REVERSE TYPE		
UNLESS OTHERWISE SPECIFIED	HC Liu		SIZE	PART NO.	DRAWING NO.
			A4	G16CE 7X1 10 W1EU	SKT-G16CE7X110W1EU-16
			UNIT		REV.
			MM		B