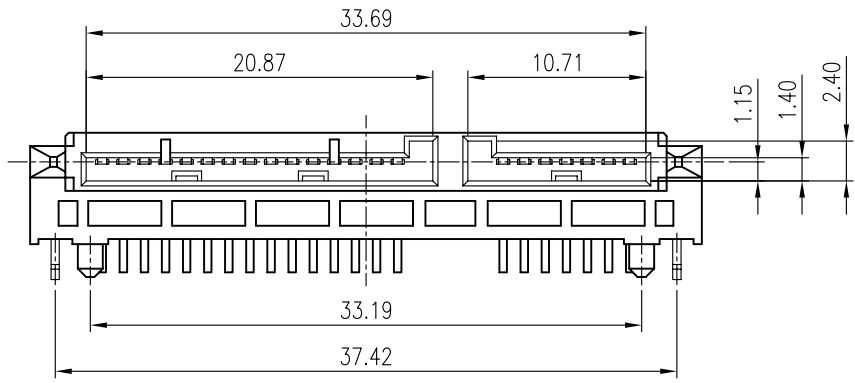


This document is the property of Amphenol Corporation and is delivered on the express condition that it is not to be disclosed, reproduced or used, in whole or in part, for manufacture or sale by anyone other than Amphenol Corporation without its prior consent, and that no right is granted to disclose or to use any information in this document.

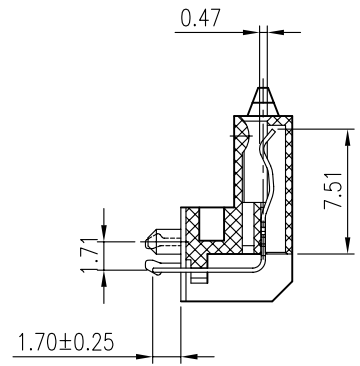
The marking on this product doesn't contain environmental hazardous materials per Material Specification SS-00259 for Sony GP compliant or per directive 2002/95/EC for RoHS compliant.

# CUSTOMER DRAWING

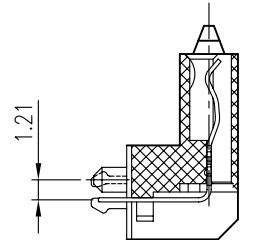
REVISIONS				
SYM	ECN No.	DESCRIPTION	DATE	APPROVED
AX1		UNAPPROVED REVISION	10/16/2007	Hank Hsu



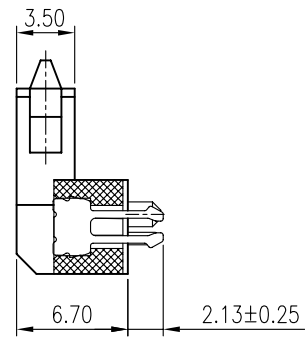
PRELIMINARY RELEASE  
SUBJECT TO CHANGE



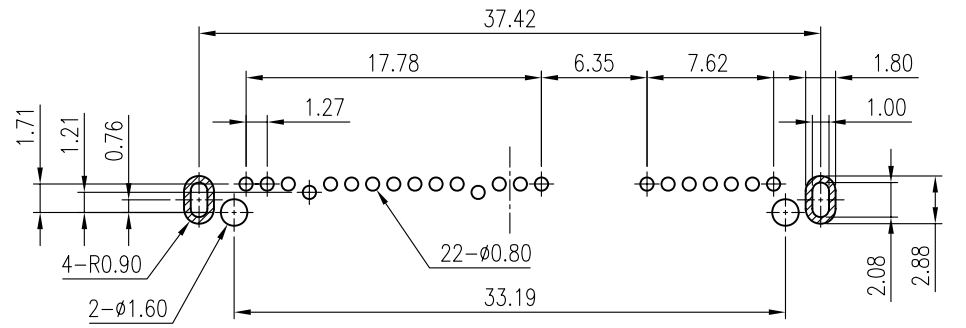
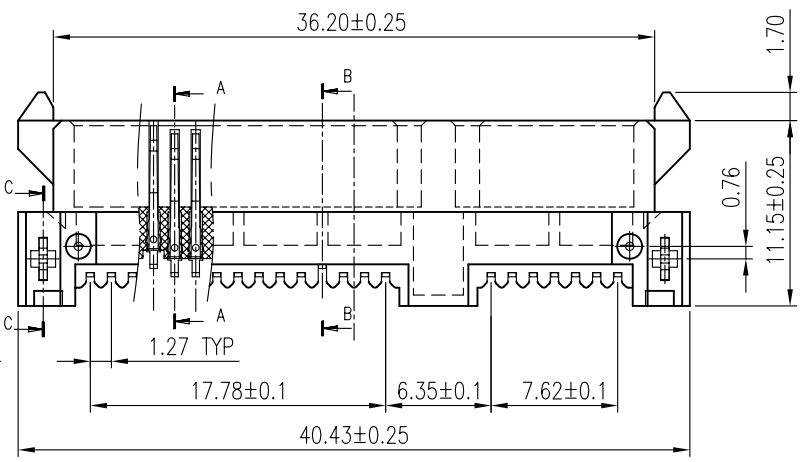
SECTION A-A



SECTION B-B



SECTION C-C



RECOMMENDED PCB LAYOUT  
(GENERAL TOLERANCE: ±0.05)

- NOTES:**
- INSULATOR: LCP, UL 94V-0, COLOR- BLACK
  - CONTACT: PHOSPHOR BRONZE, SELECTIVE GOLD PLATING ON CONTACT AREA, TIN PLATING ON SOLDERING TAIL  
CONTACT FINISH CODES: "0"- GOLD FLASH  
"1"- 15µ" GOLD  
"2"- 30µ" GOLD
  - BOARDLOCK: BRASS, TIN PLATED
  - THIS PRODUCT DOESN'T CONTAIN ENVIRONMENTAL HAZARDOUS MATERIALS PER DIRECTIVE 2002/95/EC FOR RoHS
  - PER AMTA PACKING SPECIFICATION PKS-0001
  - △ ARE CRITICAL DIMENSIONS

TOLERANCE	m/m	APPROVALS	DATE
x.	±0.30	DRAWN <b>Sondra Sang</b>	10/16/07
x.x	±0.25	CHECKED <b>Chenny Yeh</b>	10/16/07
x.xx	±0.15	APPROVED <b>Hank Hsu</b>	10/16/07
x.xxx	±0.08		
ANGULAR	±2°		

TITLE  
**G16CE SERIES  
SERIAL ATA CONNECTOR  
POWER & SIGNAL, FEMALE  
7P+15P, R/A DIP TYPE  
FOR BACK PLATE**

**Amphenol®**  
**Amphenol Corporation**  
**Amphenol Taiwan Corporation**

UNLESS OTHERWISE SPECIFIED	UNIT MM	SIZE A4	PART NO. G16CE 5X210 WEU	SCALE N.A.	SHEET 1 OF 1	DWG NO. SKT-G16CE5X210WEU-16	REV. AX1
----------------------------	------------	------------	-----------------------------	---------------	-----------------	---------------------------------	-------------