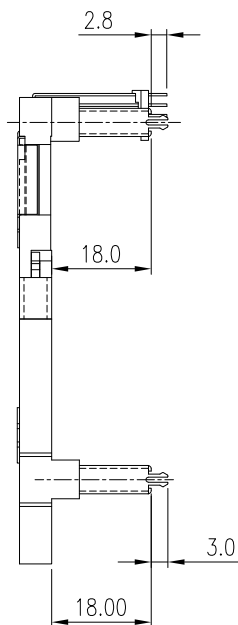
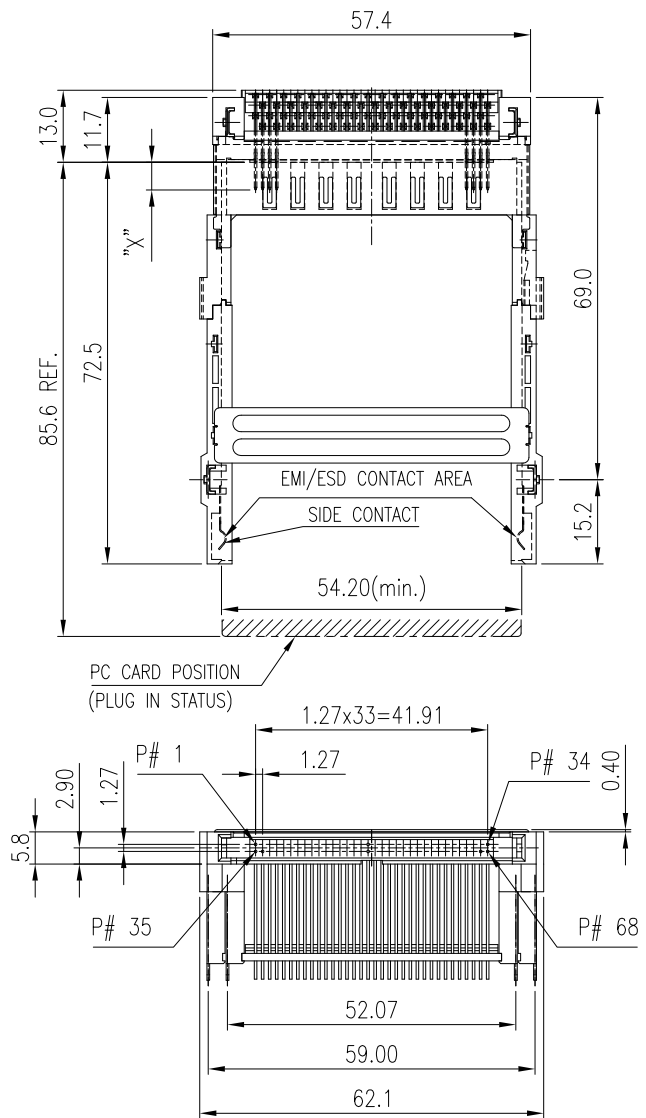


This document is the property of Amphenol Corporation and is delivered on the express condition that it is not to be disclosed, reproduced or used, in whole or in part, for manufacture or sale by anyone other than Amphenol Corporation without its prior consent, and that no right is granted to disclose or to use any information in this document.

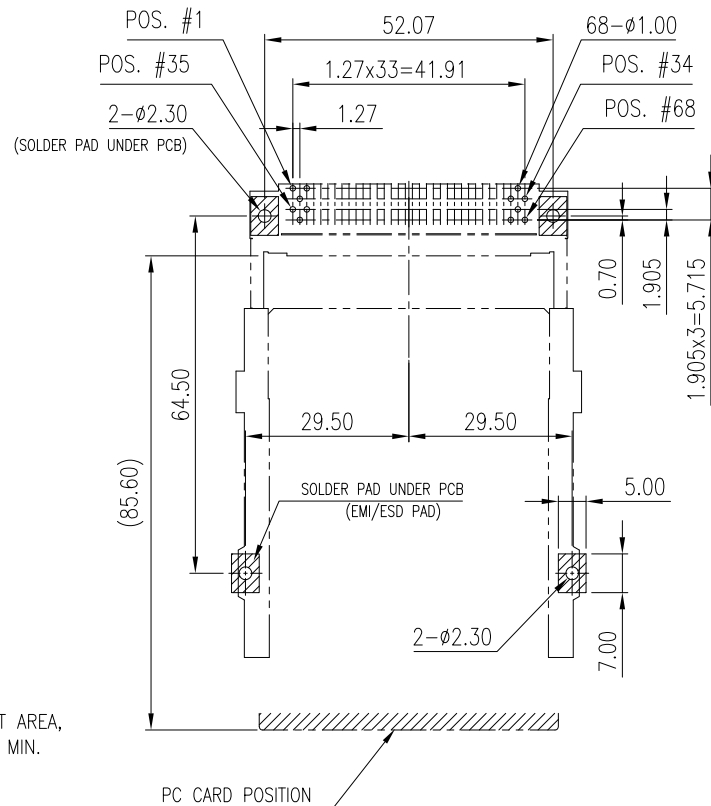
The marking on this product doesn't contain environmental hazardous materials per Material Specification SS-00259 for Sony GP compliant or per directive 2002/95/EC for RoHS compliant.

CUSTOMER DRAWING

REVISIONS				
SYM	ECN No.	DESCRIPTION	DATE	APPROVED
AX1		UNAPPROVED REVISION	06/19/2008	Hank Hsu



PRELIMINARY RELEASE
SUBJECT TO CHANGE



NOTES:

- HOUSING: G.F. THERMOPLASTIC, UL94V-0, COLOR- BLACK
- CONTACT: COPPY ALLOY, FLASH GOLD PLATED ON CONTACT AREA, 100µ" MIN. TIN PLATED ON SOLDER AREA, 50µ" MIN. NICKEL UNDER-PLATING OVERALL
- STAND-OFF 18.0 MM, FOR 3.3V
- THIS PRODUCT DOESN'T CONTAIN ENVIRONMENTAL HAZARDOUS MATERIALS PER DIRECTIVE 2002/95/EC FOR RoHS
- PACKING MUST BE PER AMTA PACKING SPECIFICATION PKS-0001

RECOMMENDED PCB LAYOUT (TOP VIEW)
(GENERAL TOLERANCE: ±0.05)

DETEC	3.50	36, 67
GENERAL	4.25	ALL OTHER PINS
POWER	5.00	1, 17, 34, 35, 51, 68
PIN TYPE	DIM. L±0.1	PIN NUMBER

TOLERANCE m/m	APPROVALS	DATE	TITLE	Amphenol®		
x. ±0.30	DRAWN Sondra Sang	06/19/08	G659B SERIES	Amphenol Corporation Amphenol Taiwan Corporation		
x.x ±0.25	CHECKED Chenny Yeh	06/19/08	CARD BUS, HEADER, 1.27MM PITCH			
x.xx ±0.15	APPROVED Hank Hsu	06/19/08	TOP, R/A PCB MOUNT, 68-POS.	SCALE	N.A.	SHEET 1 OF 1
x.xxx ±0.08			STAND-OFF 18mm, FOR 3.3V	SIZE	PART NO.	DWG NO.
ANGULAR ±2°				A4	G659B EU 1029 103	OTHER-G659BEU1029103-29
UNLESS OTHERWISE SPECIFIED	UNIT MM					REV. AX1