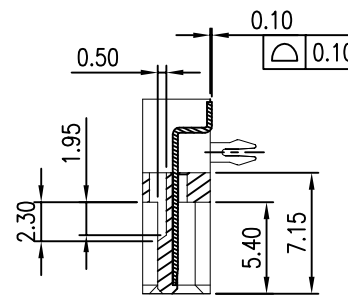
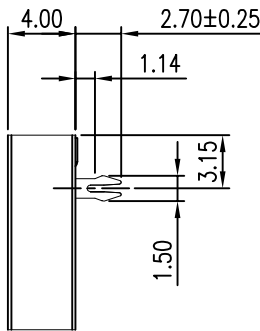
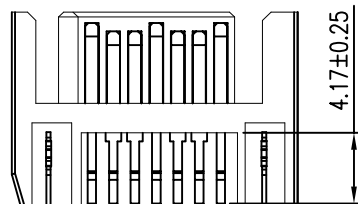
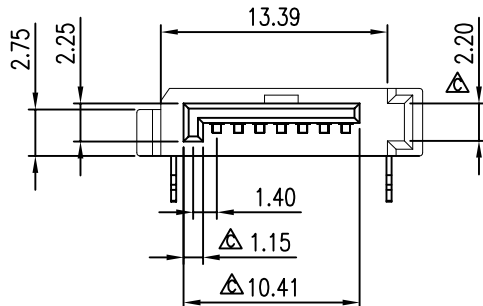
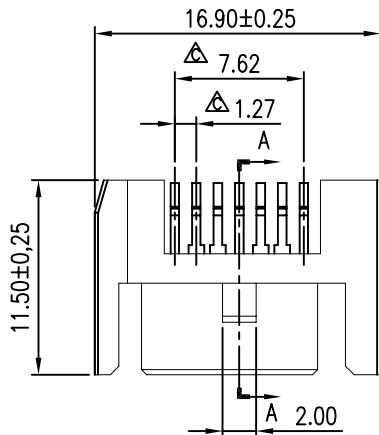
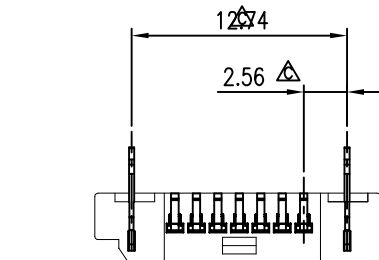
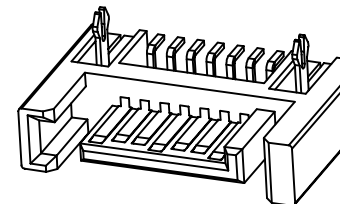


This document is the property of Amphenol Corporation and is delivered on the express condition that it is not to be disclosed, reproduced or used, in whole or in part, for manufacture or sale by anyone other than Amphenol Corporation without its prior consent, and that no right is granted to disclose or to use any information in this document.

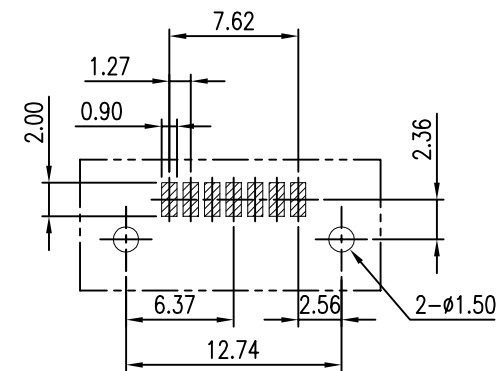
ECALC1

CUSTOMER DRAWING ORIGINAL

REVISIONS				
SYM	ECN No.	DESCRIPTION	DATE	APPROVED
A		RELEASE FOR SONY GP	02/07/2007	HC Liu
B	NE-07090	ADDING PACKING METHOD ON PAGE 2 OF 2	03/08/2007	HC Liu



SECTION A-A



RECOMMENDED PCB LAYOUT
ALL TOLERANCE ARE ±0.05 MM

NOTES:

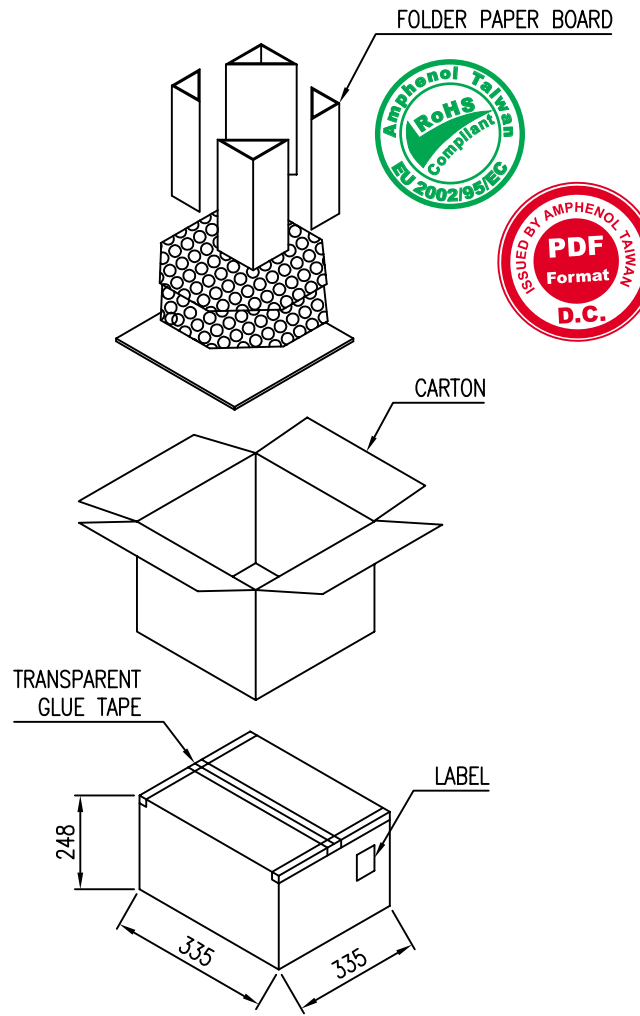
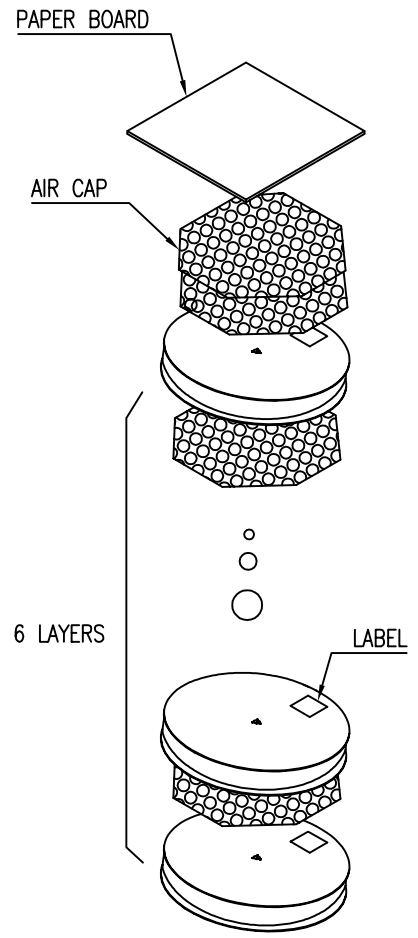
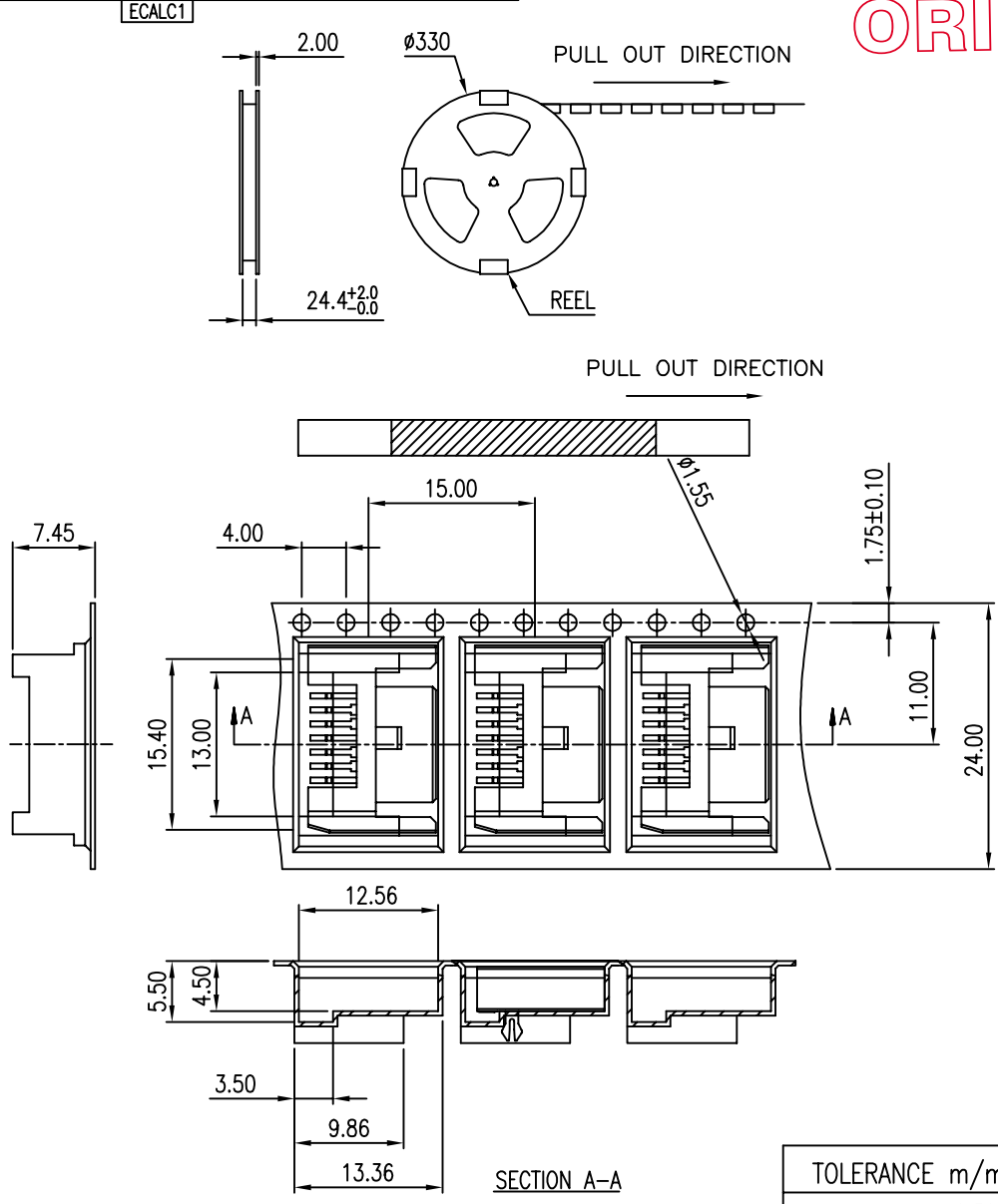
- INSULATOR: LCP, UL 94V-0, COLOR- BLACK
- CONTACT: PHOSPHOR BRONZE, SELECTIVE GOLD PLATING ON CONTACT AREA, TIN PLATING ON SOLDERING TAIL
- CONTACT FINISH CODES: "0"- GOLD FLASH
"1"- 15µ" GOLD
"2"- 30µ" GOLD
- BOARDLOCK: COPPER ALLOY, TIN PLATED
- THIS PRODUCT DOESN'T CONTAIN ENVIRONMENTAL HAZARDOUS MATERIALS PER MATERIAL SPECIFICATION SS-00259 FOR SONY GP.
- △ IS CRITICAL DIMENSIONS
- PER PACKING SPECIFICATION ON PAGE 2 OF 2

TOLERANCE	m/m	APPROVALS	DATE	TITLE	Amphenol® Amphenol Corporation Amphenol Taiwan Corporation		
x.	±0.30	DRAWN Sondra Sang	03/08/07	G16A SERIES SATA CONNECTOR SIGNAL, 7-POS. R/A. SMT TYPE	SCALE	N.A.	SHEET 1 OF 2
x.x	±0.25	CHECKED Sondra Sang	03/08/07		DRAWING NO.	SKT-G16AFX110MEU-16	
x.xx	±0.15	APPROVED HC Liu	03/08/07		REV.	B	
x.xxx	±0.08						
ANGULAR	±2°						
UNLESS OTHERWISE SPECIFIED		UNIT MM		SIZE A4	PART NO. G16A FX1 10 MEU	DRAWING NO. SKT-G16AFX110MEU-16	

This document is the property of Amphenol Corporation and is delivered on the express condition that it is not to be disclosed, reproduced or used, in whole or in part, for manufacture or sale by anyone other than Amphenol Corporation without its prior consent, and that no right is granted to disclose or to use any information in this document.

CUSTOMER DRAWING ORIGINAL

REVISIONS				
SYM	ECN No.	DESCRIPTION	DATE	APPROVED
A		RELEASE FOR SONY GP	02/07/2007	HC Liu
B	NE-07090	ADDING PACKING METHOD ON PAGE 2 OF 2	03/08/2007	HC Liu



- NOTES:
1. PRIMARY PACKING: 500 PCS/ REEL
 2. SECONDARY PACKING: 6 REELS/ CARTON (3000 PCS/ CARTON)
 3. PER AMTA PACKING SPECIFICATION PKS-0001
 4. NET WEIGHT: 0.8 g/ PCS; 400 g/ REEL; 3050 g/ CARTON

TOLERANCE m/m	APPROVALS	DATE	TITLE		G16A SERIES SATA CONNECTOR SIGNAL, 7-POS. R/A. SMT TYPE			Amphenol® Amphenol Corporation Amphenol Taiwan Corporation		
x. ±0.30	DRAWN Sondra Sang	03/08/07								
x.x ±0.25	CHECKED Sondra Sang	03/08/07								
x.xx ±0.15	APPROVED HC Liu	03/08/07								
x.xxx ±0.08			SIZE	PART NO.	DRAWING NO.	REV.				
ANGULAR ±2°			MM	G16A FX1 10 MEU	SKT-G16AFX110MEU-16	B				
UNLESS OTHERWISE SPECIFIED			UNIT			SCALE	SHEET 1 OF 2			