

This document is the property of Amphenol Corporation and is delivered on the express condition that it is not to be disclosed, reproduced or used, in whole or in part, for manufacture or sale by anyone other than Amphenol Corporation without its prior consent, and that no right is granted to disclose or to use any information in this document.

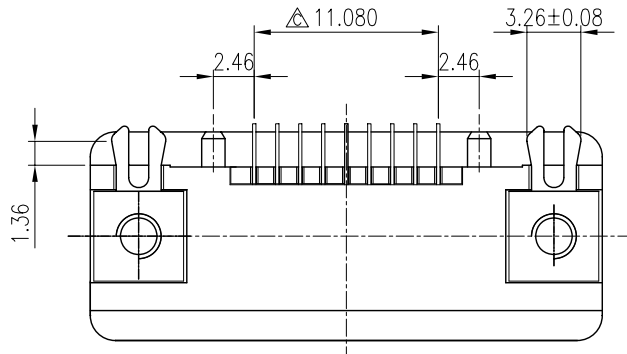
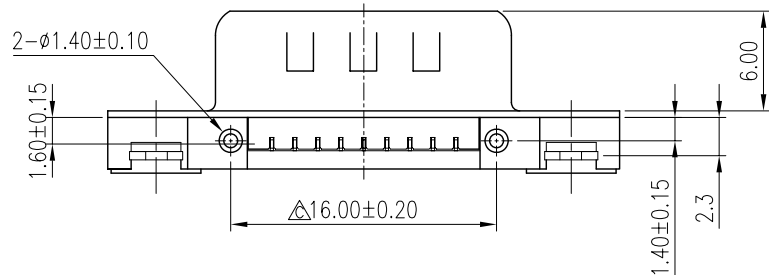
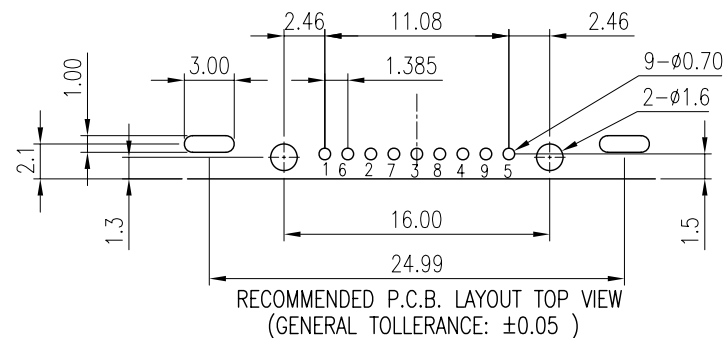
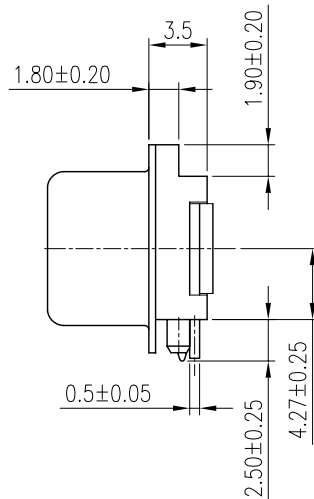
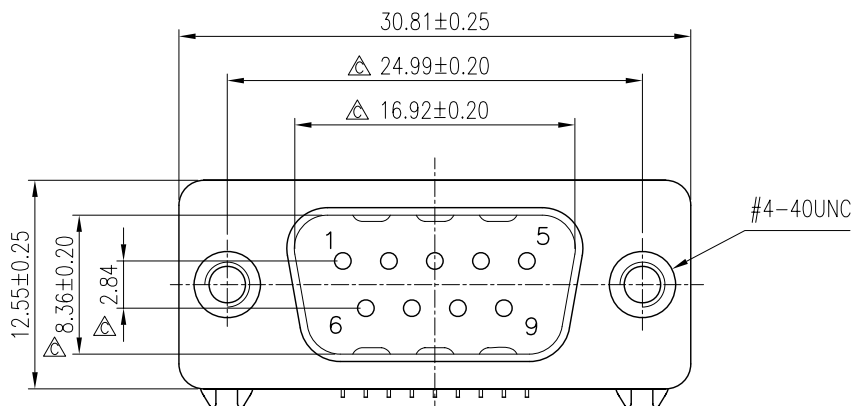
The marking on this product doesn't contain environmental hazardous materials per Material Specification SS-00259 for Sony GP compliant or per directive 2002/95/EC for RoHS compliant.



# CUSTOMER DRAWING ORIGINAL



| REVISIONS |          |                      |            |           |
|-----------|----------|----------------------|------------|-----------|
| SYM       | ECN No.  | DESCRIPTION          | DATE       | APPROVED  |
| A         |          | RELEASE FOR RoHS     | 08/10/2006 | Edward Wu |
| B         | NE-08065 | TOOLING MODIFICATION | 02/14/2008 | Hank Hsu  |
| C         | NE-08091 | NEW RELEASE          | 03/07/2008 | Hank Hsu  |



NOTES:

- INSULATOR: NYLON 6T, UL 94V-0, COLOR IN BLACK
- CONTACT: BRASS, SELECTIVE GOLD PLATED ON CONTACT AREA, 100μ" TIN PLATED ON SOLDERING AREA, 50μ" MIN. NICKEL UNDERPLATED
- SHELL: COLD ROLLER STEEL, NICKEL PLATED
- BOARDLOCK: BRASS, TIN PLATED
- THIS PRODUCT DOESN'T CONTAIN ENVIROMENTAL HAZARDOUS MATERIALS PER DIRECTIVE 2002/95/EC FOR RoHS.
- FOR DIP PROCESS ONLY
- PACKING MUST BE PER Amphenol PACKING SPECIFICATION PKS-0001
- △ IS CRITICAL DIMENSIONS
- PART NUMBER:  
G17DC 091X 231 EU

CONTACT FINISH: 0: FLASH GOLD  
1: 10μ" GOLD  
2: 15μ" GOLD

| TOLERANCE                  | m/m   | APPROVALS               | DATE     | TITLE            | Amphenol®<br>Amphenol Corporation<br>Amphenol Taiwan Corporation |      |              |
|----------------------------|-------|-------------------------|----------|------------------|--|------|--------------|
| x.                         | ±0.30 | DRAWN<br>Summer Feng    | 03/07/08 | G17DC SERIES     | SCALE  | N.A. | SHEET 1 OF 1 |
| x.x                        | ±0.25 | CHECKED<br>Daniel Hsieh | 03/07/08 | R/A, D-SUB       | DRAWING NO.<br>DSUB-G17DX091X231FEU-25                           |      |              |
| x.xx                       | ±0.15 | APPROVED<br>Hank Hsu    | 03/07/08 | 9 POSITIONS PLUG |  |      |              |
| x.xxx                      | ±0.08 |                         |          | LOW PROFILE      |  |      |              |
| ANGULAR                    | ±2°   |                         |          |                  |  |      |              |
| UNLESS OTHERWISE SPECIFIED |       | UNIT<br>MM              |          | SIZE<br>A4       | PART NO.<br>G17DC 091X 231 EU                                    |      |              |