

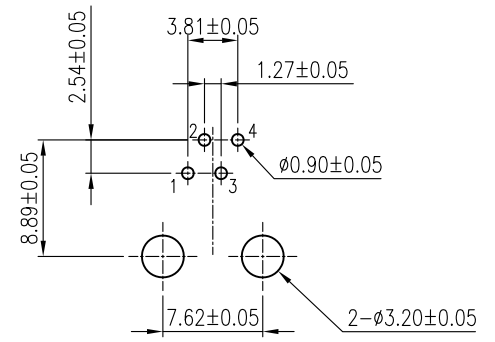
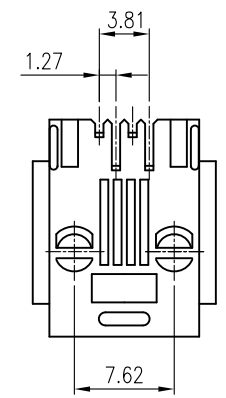
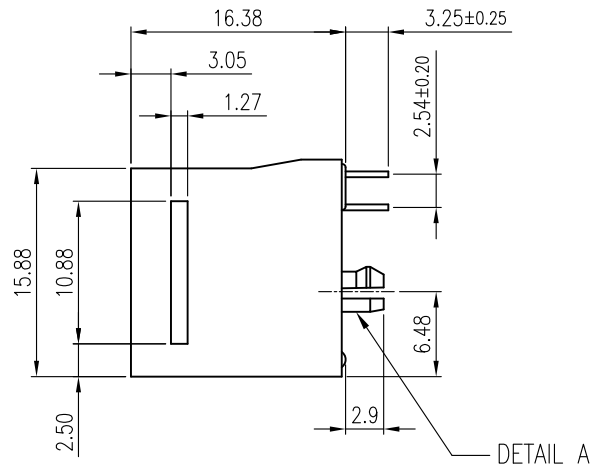
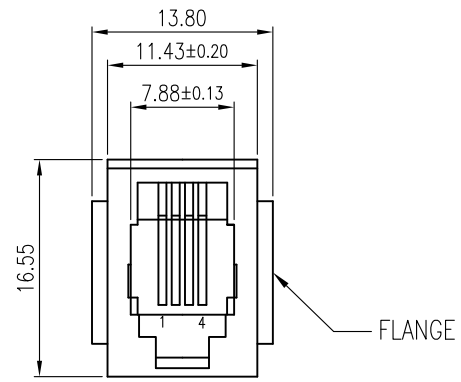
This document is the property of Amphenol Corporation and is delivered on the express condition that is not to be disclosed, reproduced or used, in whole or in part, for manufacture or sale by anyone other than Amphenol Corporation without its prior consent, and that no right is granted to disclose or to use any information in this document.

The marking on this product doesn't contain environmental hazardous materials per Material Specification SS-00259 for Sony GP compliant or per directive 2002/95/EC for RoHS compliant.

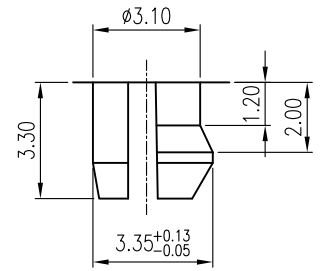
**PRELIMINARY RELEASE  
SUBJECT TO CHANGE**

REVISIONS				
SYM	ECN No.	DESCRIPTION	DATE	APPROVED
AX1		NON-RELEASE REVISION	04/29/2009	Hank Hsu
AX2		ADD DIMENSION 7.88±0.13	05/06/2009	Hank Hsu
AX3		CHANGE INSULATOR MATERIAL	05/07/2009	Hank Hsu

- NOTES:**
- INSULATOR: HIGH TEMPERATURE THERMOPLASTIC, NYLON 46, UL 94V-0, COLOR- BLACK
  - CONTACTS: PHOSPHOR BRONZE, Ø0.45 MM ROUND, SELECTIVE GOLD PLATED OVERALL.
  - THIS PRODUCT DOESN'T CONTAIN ENVIRONMENTAL HAZARDOUS MATERIAL PER DIRECTIVE 2002/95/EC FOR RoHS.
  - PACKING MUST BE PER Amphenol PACKING SPECIFICATION PKS-0001



RECOMMENDED PCB LAYOUT



DETAIL A

G71D 0091 4 00 EU	50µ"
G71D 0091 3 00 EU	30µ"
G71D 0091 2 00 EU	15µ"
G71D 0091 1 00 EU	6µ"
<b>PART NUMBER</b>	<b>FINISH</b>

TOLERANCE	APPROVALS	DATE	TITLE	UNIT	SIZE	PART No.
X. ±0.30	DRAWN Roger Tsai	05/07/2009	MODULAR JACK, 4P4C TOP ENTRY, W/ FLANGES & SPLIT PEGS	mm	A3	G71D0091X00EU
X.X ±0.20	CHECKED Daniel Hsieh	05/07/2009				
X.XXX ±0.10	APPROVED Hank Hsu	05/06/2009				
ANGULAR ±1°	DWG TYPE CUST DWG	PROJECT CODE MJK		SCALE NA	SHEET 1 OF 1	DWG No. G71D0091X00EU
UNLESS OTHERWISE SPECIFIED						REV. AX3

**Amphenol**®  
Amphenol Corporation  
Amphenol Taiwan Corporation