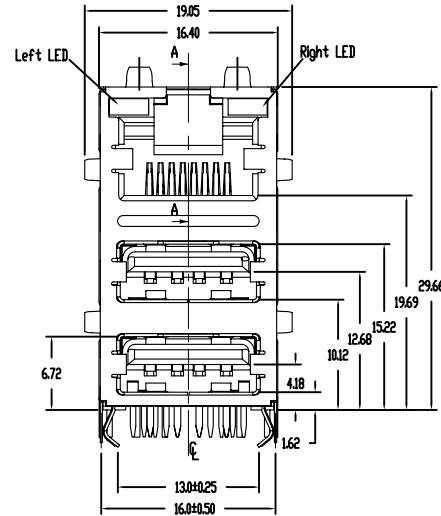
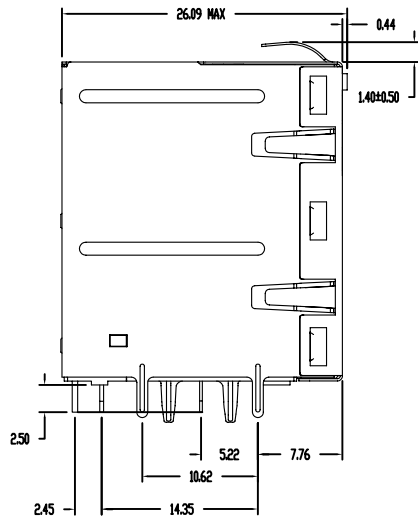
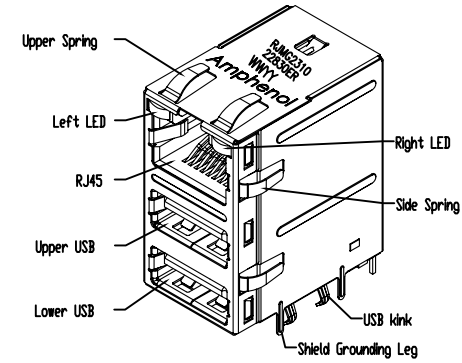
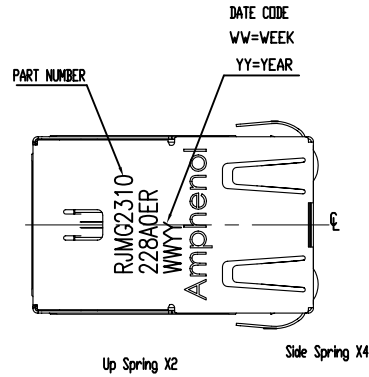


This document is the property of Amphenol Corporation and is delivered on the express condition that it is not to be disclosed, reproduced or used, in whole or in part, for manufacture or sale by anyone other than Amphenol Corporation without its prior consent, and that no right is granted to disclose or to use any information in this document.

CUSTOMER DRAWING

REVISIONS				
SYM	ECN No.	DESCRIPTION	DATE	APPROVED
AX1		RELEASE FOR PRODUCTION	NOV.16.07	Greg.L



TOLERANCE m/m	APPROVALS	DATE	TITLE	Amphenol® Amphenol Corporation
x. ±0.30	DRAWN Tony Li	Nov.16.2007	RJmag 1000 Base-T	
x.x ±0.25	CHECKED Jason Zhan	Nov.16.2007	RJ Over Dual USB	
x.xx ±0.15	APPROVED Greg.L	Nov.16.2007		
x.xxx ±0.08				
ANGULAR ±2°				SCALE N.A. SHEET 1 OF 4
UNLESS OTHERWISE SPECIFIED	UNIT MM	SIZE A3	PART NO. RJM2310228A0ER	DRAWING NO. RJM2310228A0ER
				REV. AX1

A

B

C

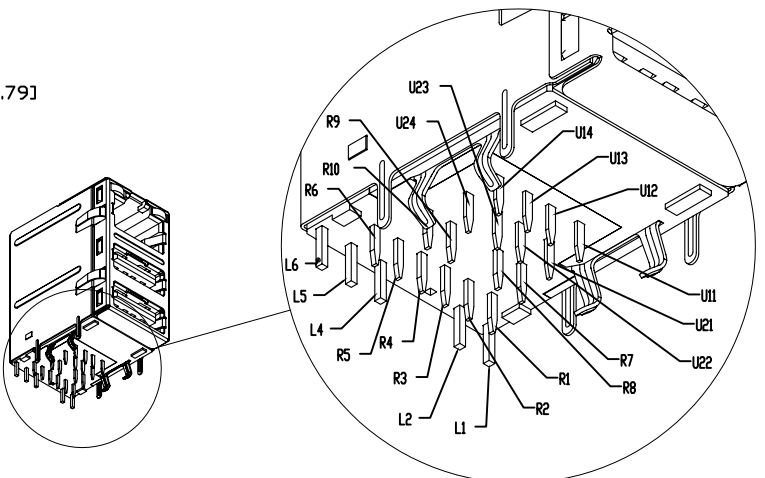
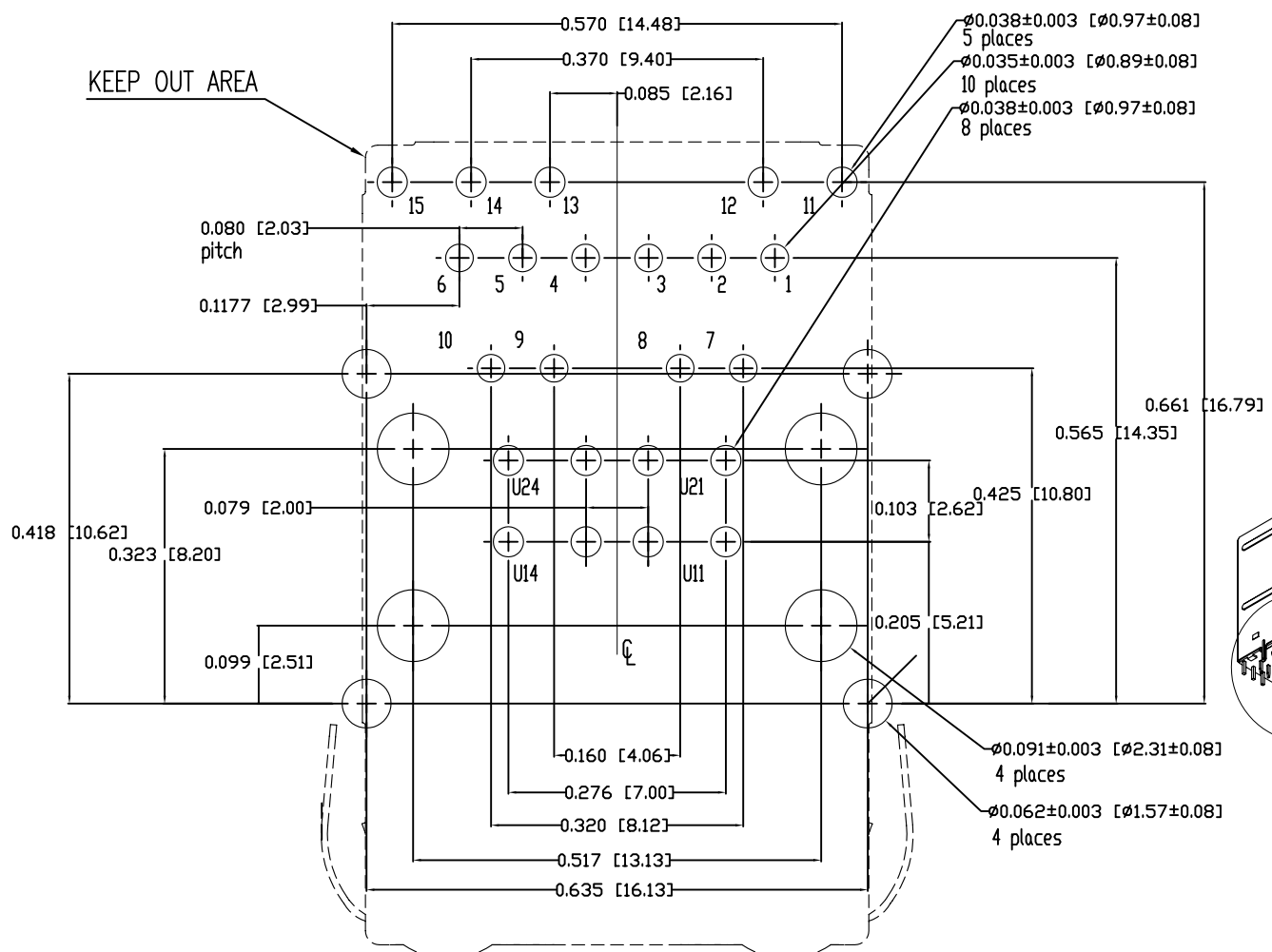
D

E

This document is the property of Amphenol Corporation and is delivered on the express condition that it is not to be disclosed, reproduced or used, in whole or in part, for manufacture or sale by anyone other than Amphenol Corporation without its prior consent, and that no right is granted to disclose or to use any information in this document.

CUSTOMER DRAWING

REVISIONS				
SYM	ECN No.	DESCRIPTION	DATE	APPROVED
AX1		RELEASE FOR PRODUCTION	NOV.16.07	Greg.L



Recommended PCB layout component side view
PCB thickness : 1.6mm

NO SURFACE TRACE IN THE AREA

TOLERANCE m/m		APPROVALS		DATE	TITLE		 Amphenol Corporation			
x.	±0.30	DRAWN Tony Li		Nov.16.2007	RJmag 1000 Base-T				SCALE	N.A.
x.x	±0.25	CHECKED Jason Zhan		Nov.16.2007	RJ Over Dual USB					
x.xx	±0.15	APPROVED Greg.L		Nov.16.2007						
x.xxx	±0.08									
ANGULAR	±2°									
UNLESS OTHERWISE SPECIFIED				UNIT	SIZE	PART NO.	DRAWING NO.	REV.		
				MM	A3	RJMG2310228A0ER	RJMG2310228A0ER	AX1		

This document is the property of Amphenol Corporation and is delivered on the express condition that it is not to be disclosed, reproduced or used, in whole or in part, for manufacture or sale by anyone other than Amphenol Corporation without its prior consent, and that no right is granted to disclose or to use any information in this document.

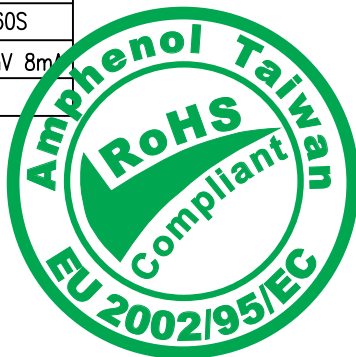
CUSTOMER DRAWING

REVISIONS				
SYM	ECN No.	DESCRIPTION	DATE	APPROVED
AX1		RELEASE FOR PRODUCTION	NOV.16.07	Greg.L

Compliant with IEEE 802.3ab Standard

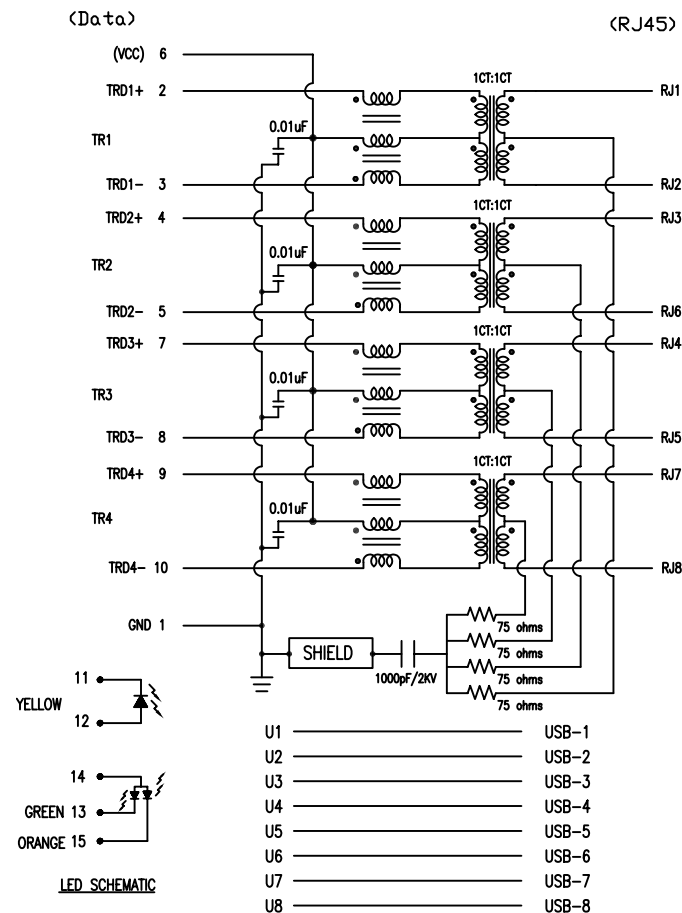
CONNECTOR PERFORMANCE ELECTRICAL SPECIFICATION(@25° C)

PARAMETER	LIMITS (MAX. OR MIN.)	FREQUENCY RANGE/ TEST CONDITIONS
INSERTION LOSS	-1.2dB MAX.	0.1-125 MHz
RETURN LOSS	-16dB MIN. -10+20 log(f/80MHz)dB MIN.	0.5-40 MHz 40-100 MHz
CM-CM REJECTION	-30dB MIN.	100KHz-100MHz
CM-DM REJECTION	-35dB MIN.	100KHz-100MHz
CROSSTALK	-35dB MIN.	100KHz-100MHz
HIPOT (Withstanding)	1.5kVrms/60Hz or 2.25VDC MIN.	60S
ISOLATION Resistance	1000M ohms MIN.	500VDC 60S
OCL	350uH MIN. From 0~70 degree	100KHz 100mV 8mA
TURN RATIO	1:1±5%	



LED PERFORMANCE:

	Activity	Link	
		Green (10Mbps)	Orange (100Mbps)
Display Color	Yellow	Green	Orange
Wavelength	590nm	565nm	605nm
Forward Current	30mA	30mA	30mA
Reverse Current	10uA	10uA	10uA
Forward Volt.Max	2.6VDC	2.6VDC	2.6VDC



TOLERANCE m/m	APPROVALS	DATE	TITLE	Amphenol® Amphenol Corporation	
x. ±0.30	DRAWN Tony Li	Nov.16.2007	RJmag 1000 Base-T	SCALE N.A.	SHEET 3 OF 4
x.x ±0.25	CHECKED Jason Zhan	Nov.16.2007	RJ Over Dual USB		
x.xx ±0.15	APPROVED Greg.L	Nov.16.2007			
x.xxx ±0.08					
ANGULAR ±1°					
UNLESS OTHERWISE SPECIFIED		UNIT MM	SIZE A3	PART NO. RJMG2310228A0ER	DRAWING NO. RJMG2310228A0ER
					REV. AX1

This document is the property of Amphenol Corporation and is delivered on the express condition that it is not to be disclosed, reproduced or used, in whole or in part, for manufacture or sale by anyone other than Amphenol Corporation without its prior consent, and that no right is granted to disclose or to use any information in this document.

CUSTOMER DRAWING

REVISIONS				
SYM	ECN No.	DESCRIPTION	DATE	APPROVED
AX1		RELEASE FOR PRODUCTION	NOV.16.07	Greg.L

MATERIALS:

HOUSING DIELECTRIC MATERIAL:

POLYMER TYPE: HIGH TEMPERATURE GLASS-REINFORCED THERMOPLASTIC,
 COLOR: BLACK
 UL FLAMMABILITY RATING : UL 94V-0

CONTACTS (RJ MAG):

BASE METAL ALLOY: PHOSPHOR BRONZE
 PLATING: 30u 'Au Min OVER 50u 'Ni Min UNDERPLATING
 100u 'Tin Min OVER 50u ' Ni MIN ON TAILS.

SHIELD:

STAINLESS STEEL , SUS304-1/2H. T=0.2MM , NO PLATING

MECHANICAL FEATURES:

SOLDERABILITY: MIL-STD-202, METHOD 208.

MATING/UNMATING FORCE:

USB PORT :

COMPLY WITH USB2.0 FOR ALL ELECTRICAL AND MECHANICAL CHARACTERISTICS
 INSERTION FORCE 3.5Kg MAX, PER USB2.0 SPEC
 WITHDRAWAL FORCE 1.0Kg MIN , PER USB2.0 SPEC
 DURABILITY: 5000 CYCLES MIN

RJ PORT :

MATING: 2.0Kg MAX , PER EIA-364-13B
 UNMATING FORCE: 2.0Kg MAX , PER EIA-364-13B
 PACKAGING: 40PCS/PLASTIC TRAY, 4 TRAYS/BOX
 COMPLY WITH FCC PART 68 SUBPART F.
 DURABILITY: 5000 CYCLES MIN

Environmental

OPERATING TEMPERATURE: -40°C TO +85°C.

STORAGE TEMPERATURE: -40°C TO +100°C.

WAVE SOLDERING TEMPERATURE: 260°C FOR 10 SECONDS MAX

ALTITUDE OPERATING RANGE: SEA LEVEL TO 3000m

HUMIDITY: NO DAMAGE OR CHANGE THAT AFFECTS THE FUNCTION OR LOOKS OF MATED CONNECTORS

THERMAL SHOCK: SUBJECT MATED CONNECTORS TO 10 CYCLES BETWEEN -55°C AND 85°C, EVERY STEP TEMPERATURE 0.5h MIN

MECHANICAL SHOCK: THREE SHOCKS IN EACH DIRECTION SHALL BE APPLIED ALONG THREE MUTUALLY PERPENDICULAR AXES OF THE TEST SPECIMEN (18 SHOCKS)

REMARKED:

RJMG-2310 - 2 2- 8 A- 0 ER

LED1 (RIGHT SIDE)

2- Yellow

LED2 (LEFT SIDE)

8: Bi-color Green/Orange (3 leds)

R: Rohs Compliant;

plating and packaging

E: Gold 30u Inches, Stainless steel shield, Tray

0: Standard;

A: 4 X 75R , 1000pF , 8 cores



TOLERANCE m/m		APPROVALS		DATE	TITLE	Amphenol® Amphenol Corporation	
x.	±0.30	DRAWN	Tony Li	Nov.16.2007	RJmag 1000 Base-T	SCALE N.A. SHEET 4 OF 4	
x.x	±0.25	CHECKED	Jason Zhan	Nov.16.2007			
x.xx	±0.15	APPROVED	Greg.L	Nov.16.2007	RJ Over Dual USB	DRAWING NO. RJMG2310228A0ER REV. AX1	
x.xxx	±0.08	UNLESS OTHERWISE SPECIFIED		UNIT MM	SIZE A3		
ANGULAR	±2°						