

This document is the property of Amphenol Corporation and is delivered on the express condition that it is not to be disclosed, reproduced or used, in whole or in part, for manufacture or sale by anyone other than Amphenol Corporation without its prior consent, and that no right is granted to disclose or to use any information in this document.

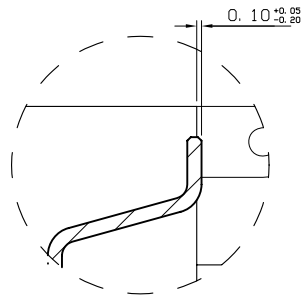
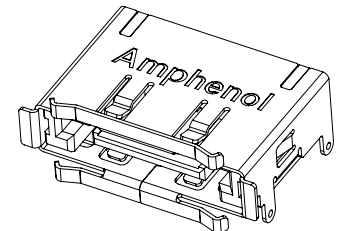
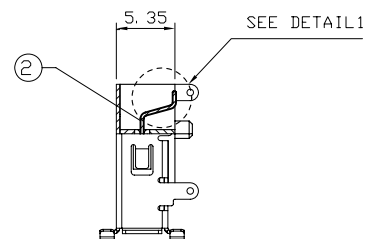
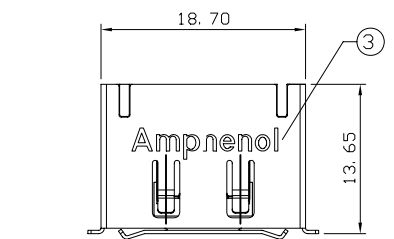
The marking on this product doesn't contain environmental hazardous materials per Material Specification SS-00259 for Sony GP compliant or per directive 2002/95/EC for RoHS compliant.



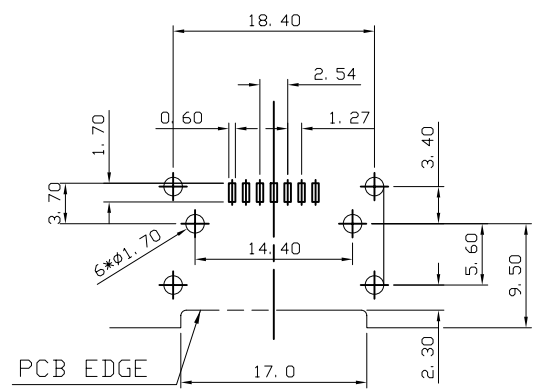
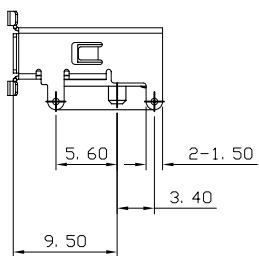
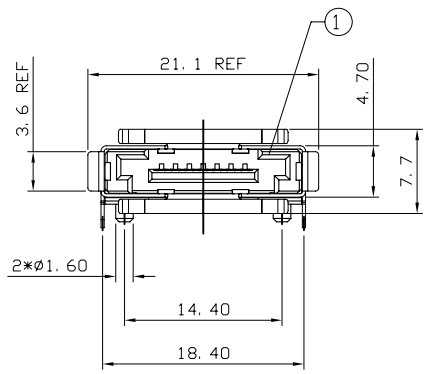
CUSTOMER DRAWING  
**ORIGINAL**



REVISIONS				
SYM	ECN No.	DESCRIPTION	DATE	APPROVED
A		RELEASE TO PRODUCTION	12/22/2005	Jeff Liu
B	NE-6135	REVISE RECOMMENDED PCB LAYOUT	05/23/2006	Armstrong Kad
C	NE-6142	REVISE RECOMMENDED PCB LAYOUT	05/24/2006	Armstrong Kad
D	NE-07846	ADDING PACKING SPEC	09/28/2007	Hank Hsu



DETAIL 1



RECOMMEND PCB LAYOUT

x.x ±0.05  
x.xx ±0.10

ITEM	DESCRIPTION	Q'TY	MATERIAL	FINISH
1	INSULATOR	1	THERMAL PLASTIC	COLOR: BLACK UL94V-0
2	CONTACT	7	COPPER ALLOY	Ni50u", Tin50u", Gold30u"
3	SHELL	1	COPPER ALLOY	Ni50-90u", Gold Flash

- NOTES:
- 1.SPEC. FOLLOWS S-ATA2 GENERAL SPECIFICATION.
  - 2.LEAD FREE
  - 3.TAIL COPLANARITY TO BE 0.1MM MAX.
  - 4.THIS PRODUCT DOESN'T CONTAIN ENVIRONMENTAL HAZARDOUS MATERIALS PER DIRECTIVE 2002/95/EC FOR RoHS.
  - 5.PACKING MUST BE PER AMPHENOL PRODUCT SPECIFICATION PKS-001-EMJ1-03.

TOLERANCE m/m		APPROVALS		DATE	TITLE		 Amphenol Corporation Amphenol Taiwan Corporation SCALE N.A. SHEET 1 OF 3		
x.	±0.30	DRAWN	Chenny Yeh	09/28/07	T371 PLUG BOARD MOUNT NORMAL SMT				
x.x	±0.25	CHECKED	Sondra Sang	09/28/07					
x.xx	±0.15	APPROVED	Hank Hsu	09/28/07					
x.xxx	±0.08				SIZE	PART NO.	ENGINEERING DWG NO.	REV.	
ANGULAR	±2°				A4	G09 113130XLf	T371-G091131301Lf	D	
UNLESS OTHERWISE SPECIFIED				UNIT	MM				