

This document is the property of Amphenol Corporation and is delivered on the express condition that it is not to be disclosed, reproduced or used, in whole or in part, for manufacture or sale by anyone other than Amphenol Corporation without its prior consent, and that no right is granted to disclose or to use any information in this document.

The marking on this product doesn't contain environmental hazardous materials per Material Specification SS-00259 for Sony GP compliant or per directive 2002/95/EC for RoHS compliant.



ORIGINAL



P/N SYSTEM:
G16AD X 2 1 X EU

CONTACT FINISH:

- 0: GOLD FLASH
- 1: 15u" GOLD
- 2: 30u" GOLD

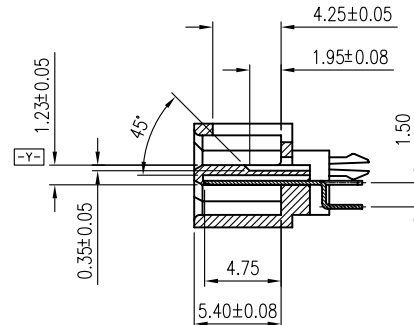
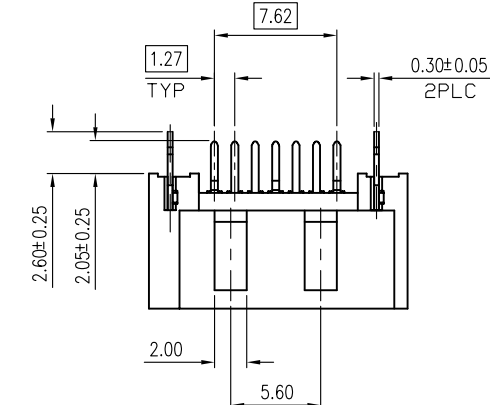
MATERIAL OF INSULATION:

- C: HIGH TEMPERATURE THERMO PLASTIC,COLOR-GRAY(442U)
- D: HIGH TEMPERATURE THERMO PLASTIC,COLOR-BEIGE(7506U)

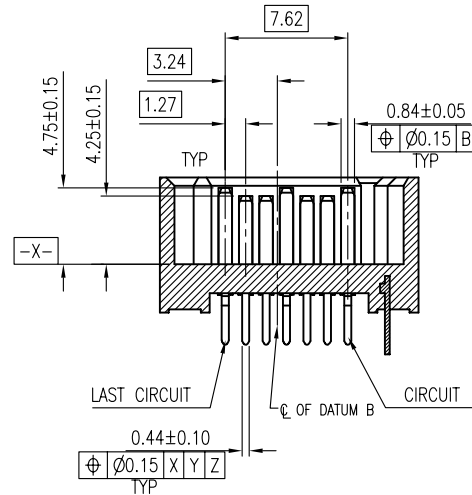
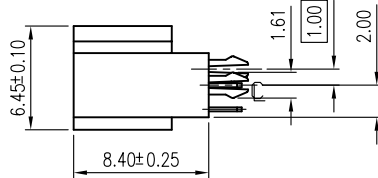
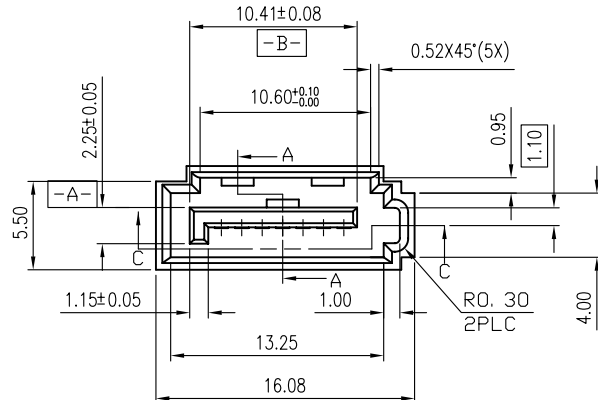
REVISIONS				
SYM	ECN No.	DESCRIPTION	DATE	APPROVED
A		RELEASE TO PRODUCTION	10/23/2008	Hank Hsu

NOTES:

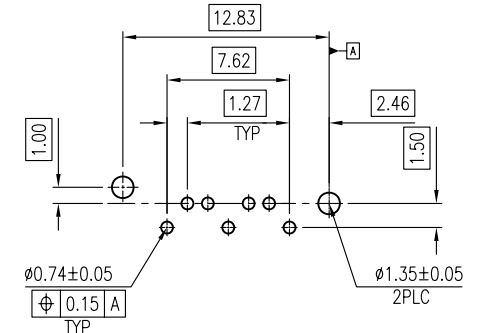
1. MATERIAL:
HOUSING: HIGH TEMPERATURE THERMO PLASTIC UL94V-0
COLOR-GRAY(442U),BEIGE(7506U)
TERMINAL: BRASS
BOARD LOCK: BRASS
2. FINISH:
TERMINAL:
CONTACT AREA: SELECTIVE GOLD PL.
SOLDERING AREA: MATT TIN PL. 100 μ" THK MIN.
UNDER PL.: NICKEL PL. 50 μ" THK MIN.
BOARD LOCK:
SOLDERING AREA: MATT TIN PL. 100 μ" THK MIN.
UNDER PL.: NICKEL PL. 50 μ" THK MIN.
3. THIS PRODUCT DOESN'T CONTAIN ENVIRONMENTAL HAZARDOUS PER DIRECTIVE 2002/95/EC FOR RoHS COMPLIANT.



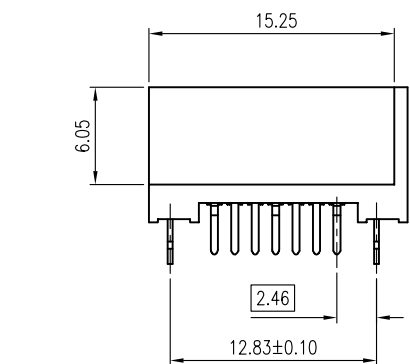
SECTION A-A



SECTION C-C



RECOMMEND PCB LAYOUT
PCB TOLERANCE:±0.05



TOLERANCE	DRAWN	APPROVALS	DATE	TITLE	UNIT	SIZE	PART No.
X. X.X ±0.30 X.XX ±0.20 X.XXX ±0.10	DESIGNED	Chenny Yeh	10/27/08	G16 SERIES SATA CONN. SIGNAL, 7-POS. MALE, STRAIGHT, DIP TYPE W/ LATCH	mm	A3	G16ADX21XEU
ANGULAR ±1°	CHECKED	Sondra Sang	10/27/08		SCALE NA	SHEET 1 OF 3	DWG No. G16ADX21XEU
UNLESS OTHERWISE SPECIFIED	APPROVED	Hank Hsu	10/27/08				REV. A
	DWG TYPE	CUST DWG	PROJECT CODE	SKT			