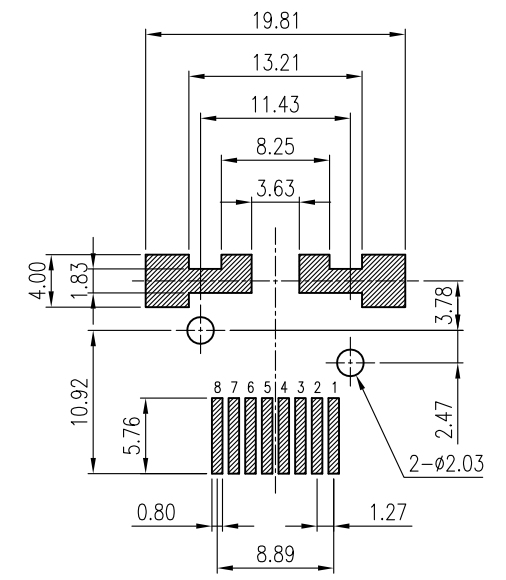
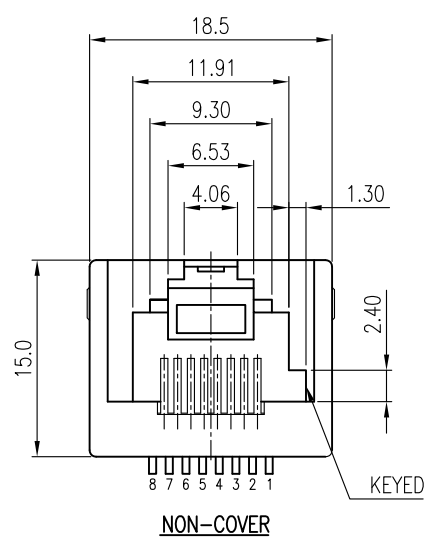
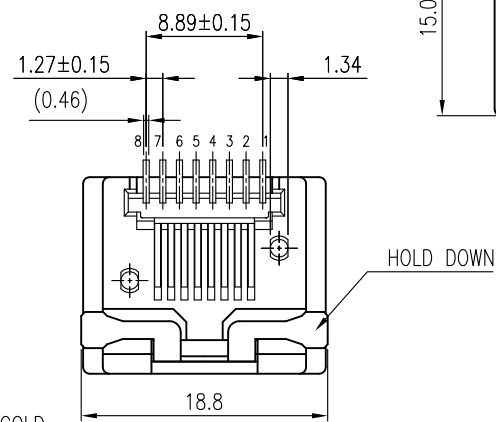
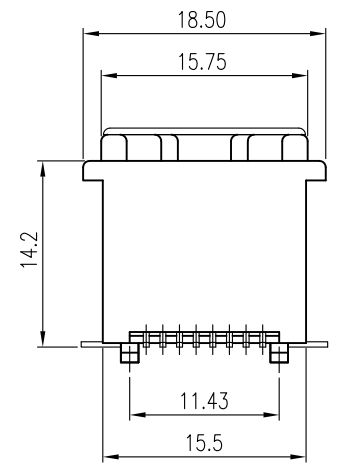
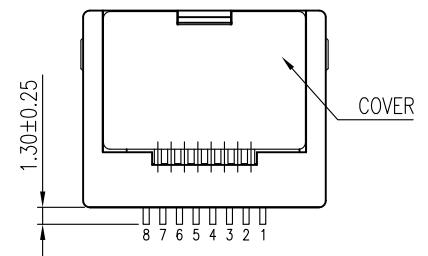


This document is the property of Amphenol Corporation and is delivered on the express condition that is not to be disclosed, reproduced or used, in whole or in part, for manufacture or sale by anyone other than Amphenol Corporation without its prior consent, and that no right is granted to disclose or to use any information in this document.

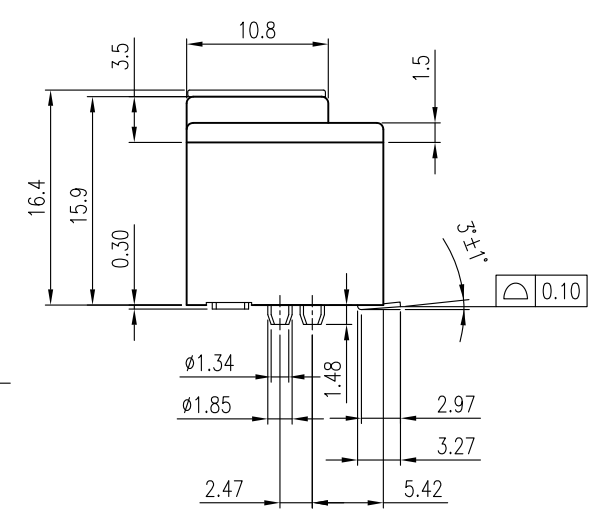
The marking on this product doesn't contain environmental hazardous materials per Material Specification 55-00259 for Sony GP compliant or per directive 2002/95/EC for RoHS compliant.

REVISIONS				
SYM	ECN No.	DESCRIPTION	DATE	APPROVED
AX1		UNAPPROVED REVISION	04/16/2009	Hank Hsu

**PRELIMINARY RELEASE
SUBJECT TO CHANGE**



RECOMMENDED PCB LAYOUT- TOP VIEW
(GENERAL TOLERANCE: ±0.05)



G71B 0143 4 00 EU	50µ"
G71B 0143 3 00 EU	30µ"
G71B 0143 2 00 EU	15µ"
G71B 0143 1 00 EU	6µ"
PART NUMBER	FINISH

- NOTES:**
- INSULATOR: NYLON 9T, UL 94V-0, COLOR- BLACK
 - CONTACT: PHOSPHOR BRONZE, 0.35 MM THICKNESS, SELECTIVE GOLD PLATED ON CONTACT AREA, GOLD FLASH PLATED ON SOLDERING AREA, 50µ" MIN. NICKEL UNDER-PLATING OVERALL
 - HOLD DOWN: COPPER ALLOY, 0.4MM THICKNESS, 100µ" MIN. TIN OVER 50µ" MIN. NICKEL UNDER-PLATING OVERALL
 - COVER: NYLON-46, UL 94V-0, COLOR- BLACK
 - THIS PRODUCT DOESN'T CONTAIN ENVIRONMENTAL HAZARDOUS MATERIAL PER DIRECTIVE 2002/95/EC FOR RoHS.
 - THE PRODUCT MUST BE PER Amphenol PACKING SPECIFICATION PKS-0001

TOLERANCE	APPROVALS	DATE	TITLE	UNIT	SCALE	SIZE	PART No.
X. ±0.30	DRAWN Roger Tsai	04/16/2009	MODULAR JACK, 8P8C TOP ENTRY, SMT, W/ KEYED W/ HOLD DOWN & COVER	mm	NA	A3	G71B 0143X 00 EU
X.X ±0.20	CHECKED Daniel Hsieh	04/16/2009					
X.XXX ±0.10	APPROVED Hank Hsu	04/16/2009					
ANGULAR ±1°	DWG TYPE CUST DWG	PROJECT CODE MJK					
UNLESS OTHERWISE SPECIFIED							

Amphenol[®]
Amphenol Corporation
Amphenol Taiwan Corporation

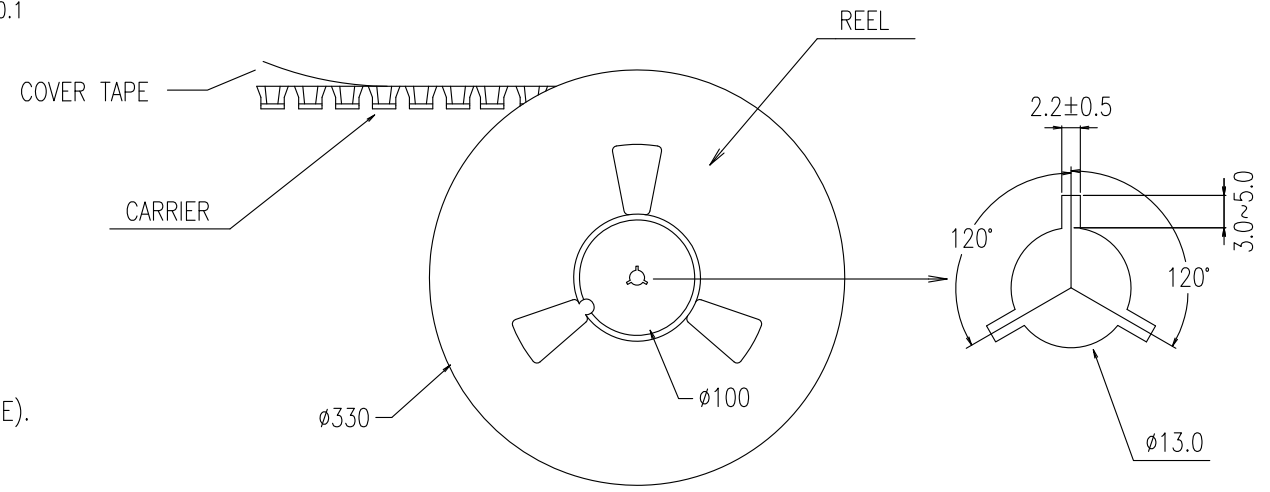
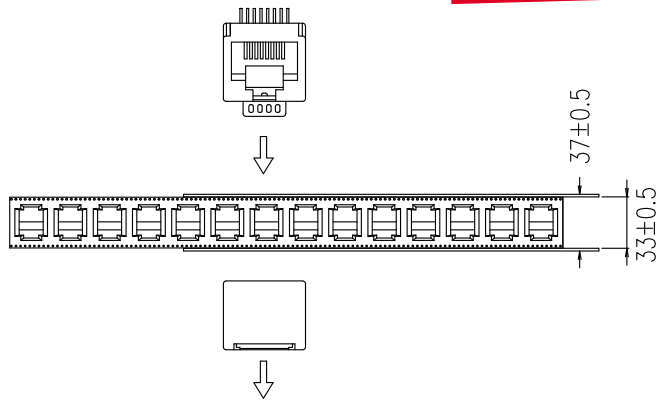
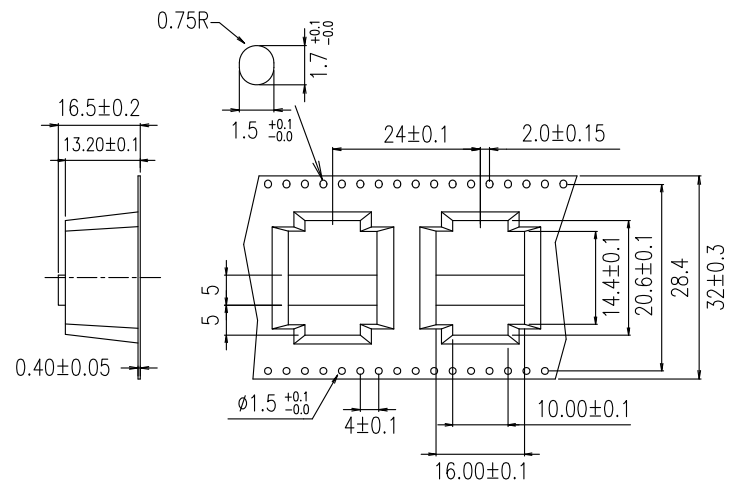
PART No.	G71B 0143X 00 EU
DWG No.	G71B0143X00EU
REV.	AX1

This document is the property of Amphenol Corporation and is delivered on the express condition that is not to be disclosed, reproduced or used, in whole or in part, for manufacture or sale by anyone other than Amphenol Corporation without its prior consent, and that no right is granted to disclose or to use any information in this document.

The marking on this product doesn't contain environmental hazardous materials per Material Specification 55-00259 for Sony GP compliant or per directive 2002/95/EC for RoHS compliant.

REVISIONS				
SYM	ECN No.	DESCRIPTION	DATE	APPROVED
AX1		UNAPPROVED REVISION	04/16/2009	Hank Hsu

**PRELIMINARY RELEASE
SUBJECT TO CHANGE**



NOTES:

MATERIALS:

- REEL—2mm THICK PLASTIC WHEEL
- CARRIER—PS (0.40mm THICK TAPE).
- COVER TAPE —PE (MIN0.045~0.12mm THICK TAPE).

- A. THE DIRECTION OF JACKS PUT INTO CARRIER.
- B. 10 EMPTY CAVITIES FOR BOTH OF TOP AND BOTTOM OF THE CARRIER.
- C. 180 PCS PRODUCTS BE PACKAGED ONE REEL.
- D. CARTON SIZE: 345(L)X345(W)X315(H), 8 REEL/CARTON
TOTAL: 1440 PCS

TOLERANCE		APPROVALS		DATE	TITLE		Amphenol®			
X.		DRAWN	Roger Tsai	04/16/2009	MODULAR JACK, 8P8C TOP ENTRY, SMT, W/ KEYED W/ HOLD DOWN & COVER		Amphenol Corporation Amphenol Taiwan Corporation			
X.X	±0.30	CHECKED	Daniel Hsieh	04/16/2009						
X.XX	±0.20	APPROVED	Hank Hsu	04/16/2009						
X.XXX	±0.10	DWG TYPE		PROJECT CODE	UNIT	SCALE	SIZE	SHEET	PART No.	
ANGULAR	±1°	CUST DWG		MJK						mm
UNLESS OTHERWISE SPECIFIED									DWG No.	REV.
									G71B0143X00EU	AX1