

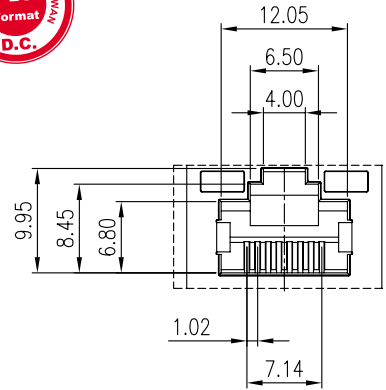
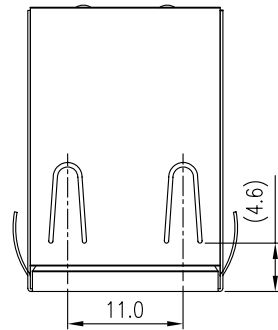
This document is the property of Amphenol Corporation and is delivered on the express condition that it is not to be disclosed, reproduced or used, in whole or in part, for manufacture or sale by anyone other than Amphenol Corporation without its prior consent, and that no right is granted to disclose or to use any information in this document.

The marking on this product doesn't contain environmental hazardous materials per Material Specification 55-00259 for Sony GP compliant or per directive 2002/95/EC for RoHS compliant.

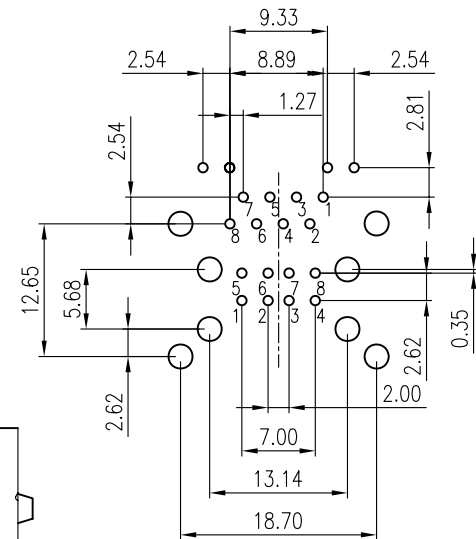
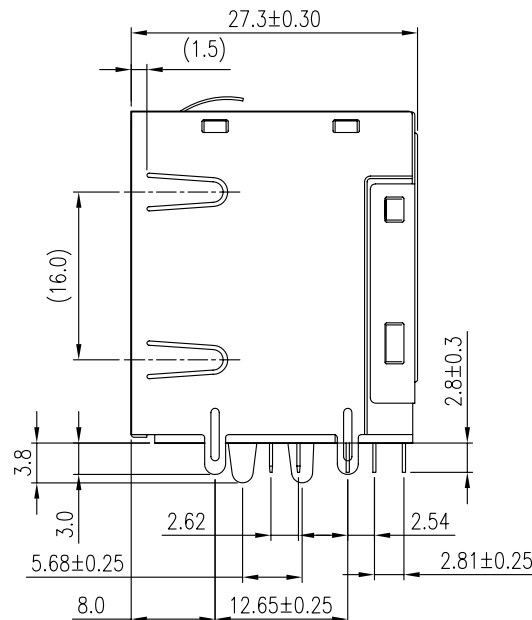
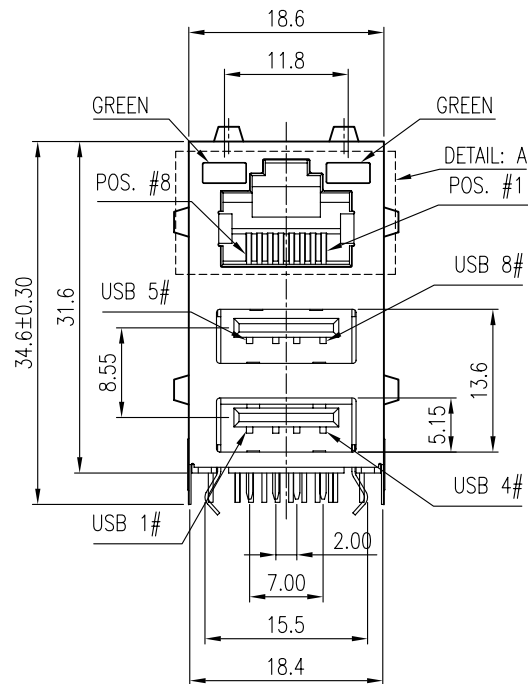


REVISIONS				
SYM	ECN No.	DESCRIPTION	DATE	APPROVED
A		RELEASE TO PRODUCTION	07/23/2008	Hank Hsu
B	NE-08273	CHANGED LED COLOR	08/04/2008	Hank Hsu

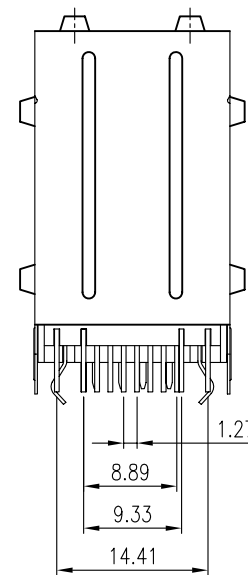
ORIGINAL



DETAIL A



RECOMMEND P.C.B LAYOUT  
(TOLERANCE:±0.05MM)



G71J 17 4 800 FEU	50μ"
G71J 17 3 800 FEU	30μ"
G71J 17 2 800 FEU	15μ"
G71J 17 1 800 FEU	6μ"
PART NUMBER	FINISH

NOTES:

- INSULATOR: LCP, UL 94V-0, COLOR- BLACK
- CONTACT OF RJ: PHOSPHOR BRONZE, 0.30 MM THICKNESS, SELECTIVE GOLD PLATED ON CONTACT AREA, 100μ" MIN. MATT TIN PLATED ON SOLDERING TAIL, 50μ" MIN. NICKEL UNDER-PLATED OVERALL
- SHIELD: BRASS, 50μ" MIN. NICKEL PLATED
- THIS PRODUCT DOESN'T CONTAIN ENVIRONMENTAL HAZARDOUS MATERIAL PER DIRECTIVE 2002/95/EC FOR RoHS.

TOLERANCE	APPROVALS	DATE	TITLE		PART No.	
X. ±0.30	DRAWN Sondra Sang	08/04/07	RJ45 OVER USB STACKED CONN WITH LED, W/O TRANSFORMER & TERMINATION		Amphenol® Amphenol Corporation Amphenol Taiwan Corporation	
X.X ±0.20	CHECKED Chenny Yeh	08/04/07				
X.XXX ±0.10	APPROVED Hank Hsu	08/04/07				
ANGULAR ±1°	DWG TYPE CUST DWG	PROJECT CODE MJK	UNIT mm	SCALE NA	SIZE A3	SHEET 1 OF 1
UNLESS OTHERWISE SPECIFIED						DWG No. G71J17X800FEU
						REV. B