

This document is the property of Amphenol Corporation and is delivered on the express condition that it is not to be disclosed, reproduced or used, in whole or in part, for manufacture or sale by anyone other than Amphenol Corporation without its prior consent, and that no right is granted to disclose or to use any information in this document.

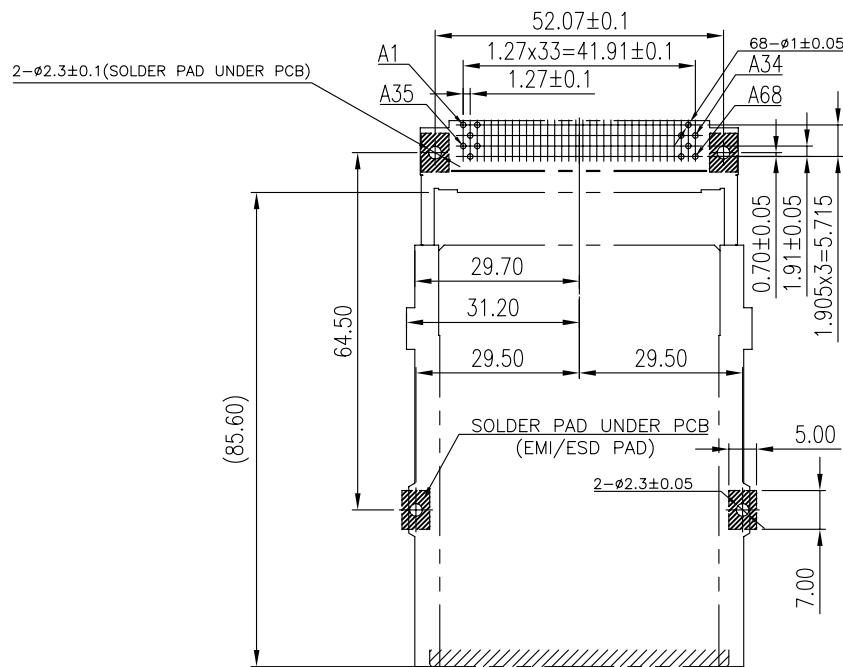
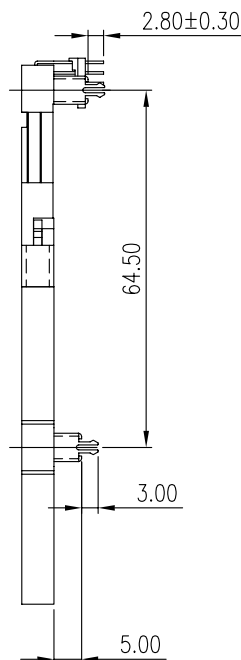
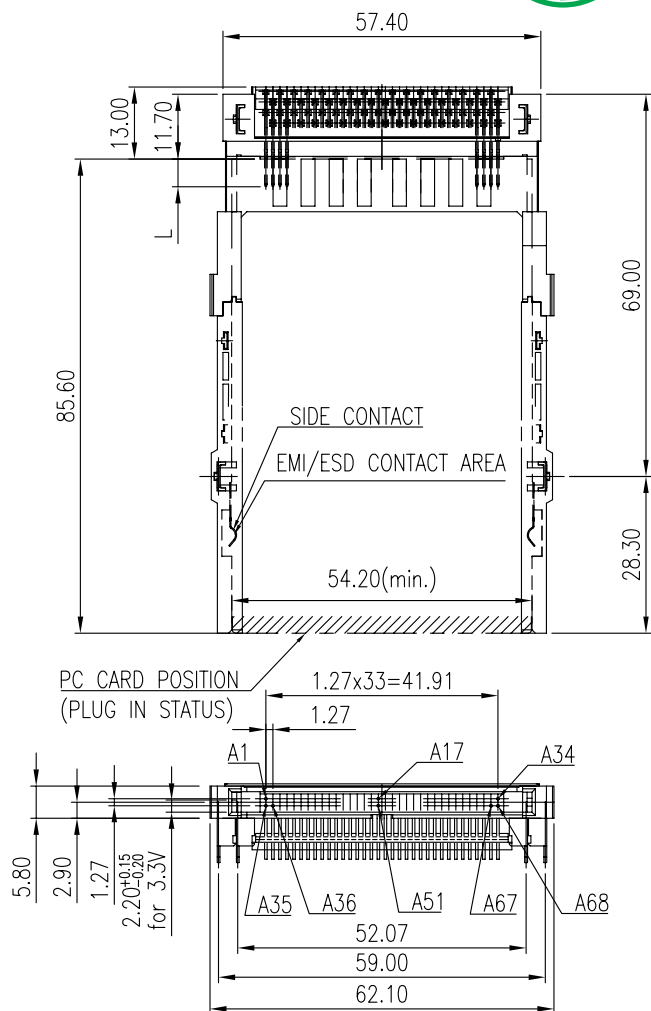


CUSTOMER DRAWING

ORIGINAL



REVISIONS				
SYM	ECN No.	DESCRIPTION	DATE	APPROVED
A		RELEASE TO PRODUCTION	06/25/2008	Hank Hsu



NOTES:

- HOUSING: PBT 30% G.F. THERMOPLASTIC, UL94V-0, COLOR- BLACK
- CONTACT: COPPY ALLOY, GOLD FLASH ON CONTACT AREA, TIN PLATED ON SOLDER AREA
- STAND-OFF 5.0 MM, FOR 3.3V
- THIS PRODUCT DOESN'T CONTAIN ENVIRONMENTAL HAZARDOUS MATERIALS PER DIRECTIVE 2002/95/EC FOR RoHS.
- THE PRODUCT IS APPLICATED IN CARD TYPE I, TYPE II, AND TYPE III
- THE PRODUCT MUST BE FOR DIP PROCESS ONLY

RECOMMENDED PCB LAYOUT

DETEC	3.50	36, 67
GENERAL	4.25	ALL OTHER PINS
POWER	5.00	1, 17, 34, 35, 51, 68
PIN TYPE	DIM. L±0.1	PIN NUMBER

TOLERANCE m/m	APPROVALS	DATE	TITLE		Amphenol®	
x. ±0.50	DRAWN Nealson Wang	6/25/08	G659 SERIES PCMCIA, HEADER TOP, R/A PCB MOUNT 68-POS., 1.27MM PITCH		Amphenol Corporation Amphenol Taiwan Corporation	
x.x ±0.40	CHECKED Chenny Yeh	6/25/08				
x.xx ±0.30	APPROVED Hank Hsu	6/25/08				
x.xxx ±0.08			SCALE	N.A.	SHEET	1 OF 1
ANGULAR ±2°			SIZE	PART NO.	DRAWING NO.	REV.
UNLESS OTHERWISE SPECIFIED			A3	G659 ZR 1228 1050	OTHER-G659ZR12281050	A